



# BRAKE PAD

## P 86 035

The P 86 035 brake pad is synonymous with reliability

The Brembo brake pad guarantees ultimate safety when braking thanks to the use of more than 100 different compounds, designed according to the type of vehicle and use. Stopping distances reduced to a minimum, maximum driving comfort and silent operation are the most important features of Brembo materials. Brembo brake pads are supplied together with an extensive range of accessories and assembly kits for professional-standard installation.

- ✓ OE-equivalent
- ✓ Brembo quality
- ✓ ECE-R90 certificate
- ✓ Safety
- ✓ Performance
- ✓ Comfort
- ✓ With accessories



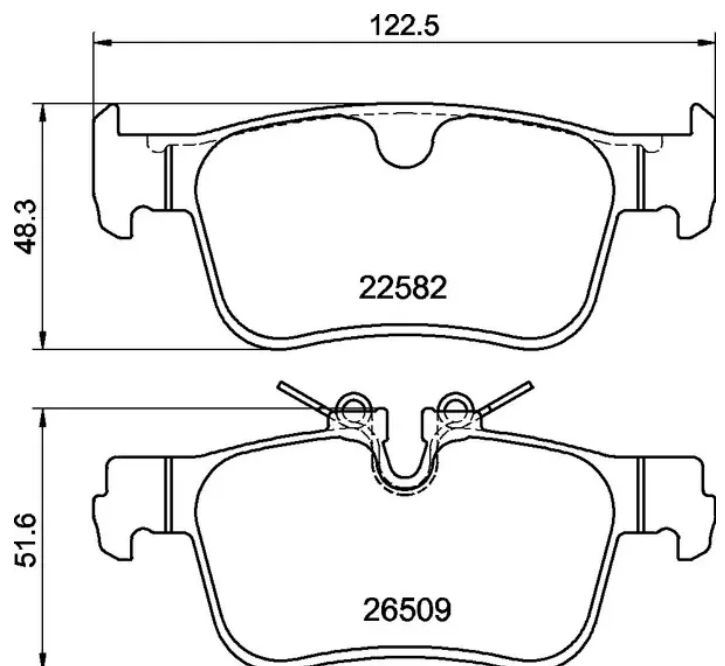
### Technical specifications

EAN code                      Axle                              Thickness  
**8020584125786**            **Rear**                              **16 mm**

Width                              Height  
**123 mm**                              **48 mm**

Wear indicator                      WVA number  
**Prepared for wear indicator**                      **22582,26509**

Accessories  
**With accessories**  
**With anti-squeal shim**  
**With piston clip**



## COMPATIBLE OE PART NUMBERS

32287430 VOLVO

32287431 VOLVO

---