



# BRAKE PAD

## P A6 015

The P A6 015 brake pad is synonymous with reliability

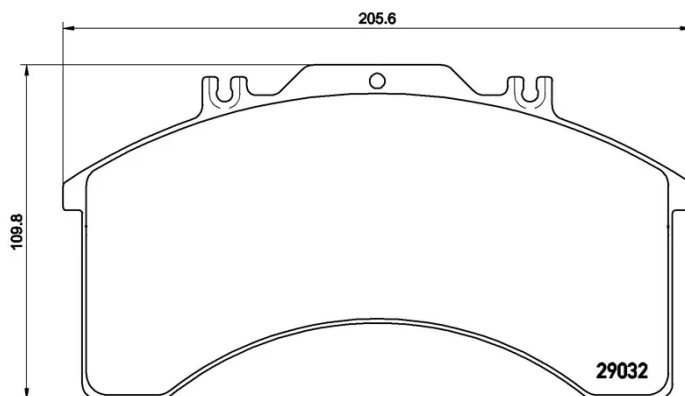
The Brembo brake pad guarantees ultimate safety when braking thanks to the use of more than 100 different compounds, designed according to the type of vehicle and use. Stopping distances reduced to a minimum, maximum driving comfort and silent operation are the most important features of Brembo materials. Brembo brake pads are supplied together with an extensive range of accessories and assembly kits for professional-standard installation.

- ✓ OE-equivalent
- ✓ Brembo quality
- ✓ ECE-R90 certificate
- ✓ Safety
- ✓ Performance
- ✓ Comfort



### Technical specifications

EAN code	Axle	Thickness
8020584059258	Front	25 mm
Width	Height	Braking system
206 mm	110 mm	Bendix
Wear indicator	WVA number	Accessories
Prepared for wear indicator	29032	With anti-squeal shim



COMPATIBLE VEHICLES

### COMPATIBLE OE PART NUMBERS

1906170	IVECO
4856911	IVECO