



# GP4-RB 220B47330

The 220B47330 caliper is synonymous with reliability

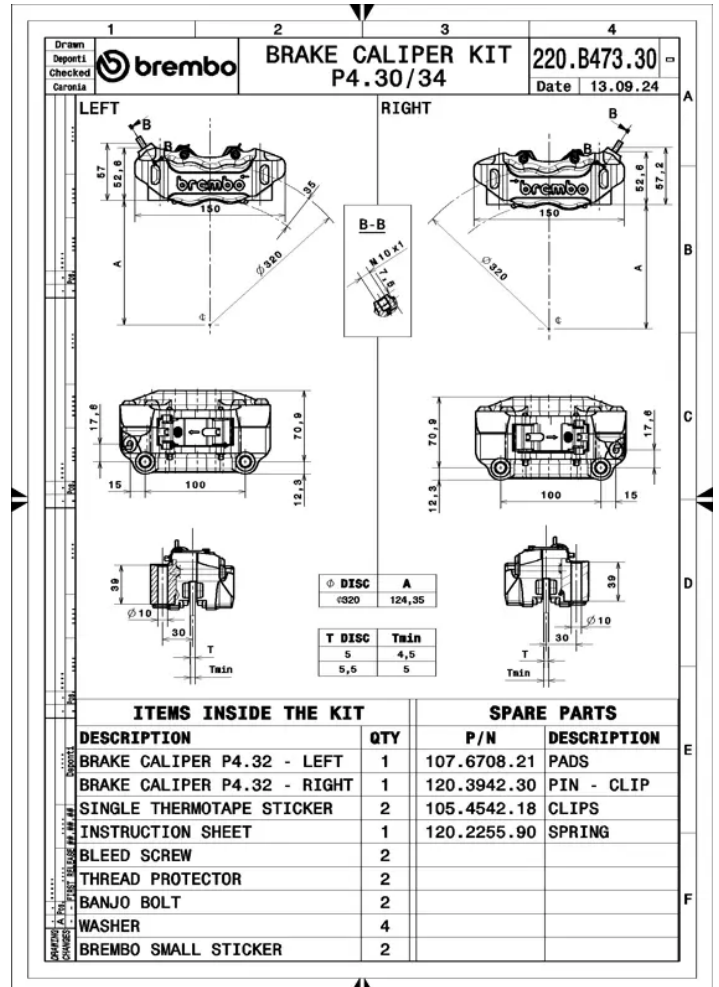
The iconic carved from a billet in two pieces is now also available with an anodised black finish to enhance the technical performance and appearance of the motorbike.

- ✓ OE-equivalent
- ✓ Brembo quality
- ✓ TUV approved
- ✓ Safety
- ✓ Performance
- ✓ Exclusive style
- ✓ Sports driving



## Technical specifications

Piston size <b>30-34 mm</b>	Number of pistons <b>4</b>	Surface width <b>32-34 mm</b>
Offset <b>30 mm</b>	Pads included <b>Yes</b>	Caliper material <b>Aluminium</b>
Protection <b>Black</b>	Piston material <b>Aluminium</b>	Weight without pads <b>780 gr</b>
Units per box <b>2</b>		



**COMPATIBLE VEHICLES**