



BRAKE DISC

08.2985.20

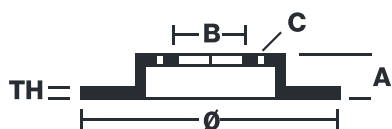
The 08.2985.20 brake disc is synonymous with reliability

The Brembo brake disc is fully interchangeable with an Original Equipment brake disc. The control of the entire production cycle allows Brembo to offer brake discs with outstanding performance levels, reliability, durability and comfort in all conditions of use. All Brembo brake discs are accompanied by the ECE-R90 homologation.

- ✓ OE-equivalent
- ✓ Brembo quality
- ✓ ECE-R90 certificate
- ✓ Safety
- ✓ Fastening screws



Technical specifications



EAN code
8020584298527

Axle
Rear

Diameter \varnothing
247 mm

Thickness (TH)
10 mm

Height (A)
34 mm

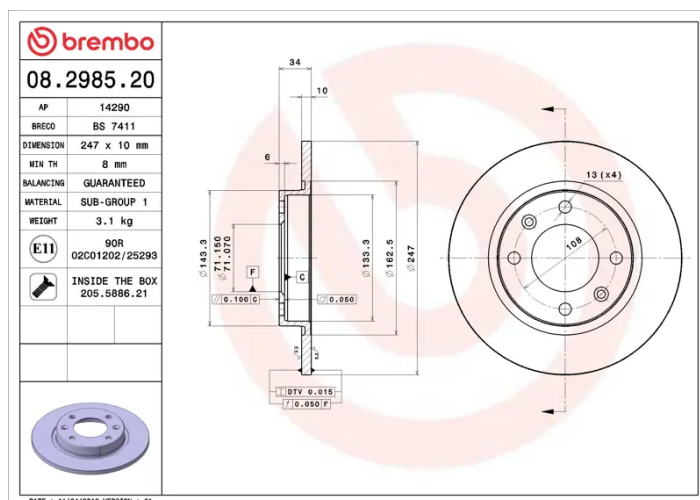
Number of holes (C)
4

Brake disc type
Solid

Centering (B)
71 mm

Min. thickness
8 mm

Tightening torque
85 Nm



COMPATIBLE VEHICLES

COMPATIBLE OE PART NUMBERS

1618861580	PEUGEOT
------------	---------

4246A1	PEUGEOT
--------	---------

4246A2	PEUGEOT
--------	---------

4246G9	PEUGEOT
--------	---------

E169138	PEUGEOT
---------	---------
