



BRAKE DISC

08.9176.10

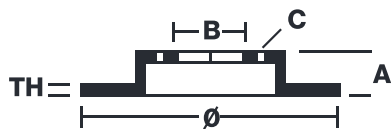
The **08.9176.10** brake disc is synonymous with reliability

The Brembo brake disc is fully interchangeable with an Original Equipment brake disc. The control of the entire production cycle allows Brembo to offer brake discs with outstanding performance levels, reliability, durability and comfort in all conditions of use. All Brembo brake discs are accompanied by the ECE-R90 homologation.

- ✓ OE-equivalent
- ✓ Brembo quality
- ✓ ECE-R90 certificate
- ✓ Safety



Technical specifications



EAN code
8020584917619

Axle
Rear

Diameter \emptyset
294 mm

Thickness (TH)
13,5 mm

Height (A)
41 mm

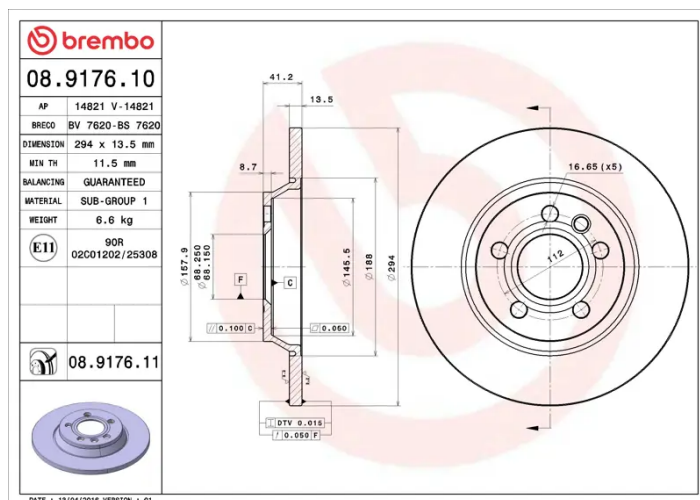
Number of holes (C)
5

Brake disc type
Solid

Centering (B)
68 mm

Min. thickness
11,5 mm

Tightening torque
170 Nm



COMPATIBLE VEHICLES

COMPATIBLE OE PART NUMBERS

1110251	FORD
---------	------

1140278	FORD
---------	------

YM212A315AB	FORD
-------------	------

7D0615601A	SEAT
------------	------

7D0615601C	SEAT
------------	------

7D0615601A	VW
------------	----

7D0615601C	VW
------------	----
