



BRAKE DISC

08.B601.10

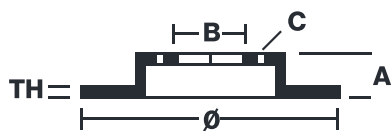
The **08.B601.10** brake disc is synonymous with reliability

The Brembo brake disc is fully interchangeable with an Original Equipment brake disc. The control of the entire production cycle allows Brembo to offer brake discs with outstanding performance levels, reliability, durability and comfort in all conditions of use. All Brembo brake discs are accompanied by the ECE-R90 homologation.

- ✓ OE-equivalent
- ✓ Brembo quality
- ✓ ECE-R90 certificate
- ✓ Safety



Technical specifications



EAN code
8020584036532

Axle
Rear

Diameter Ø
280 mm

Thickness (TH)
11 mm

Height (A)
51 mm

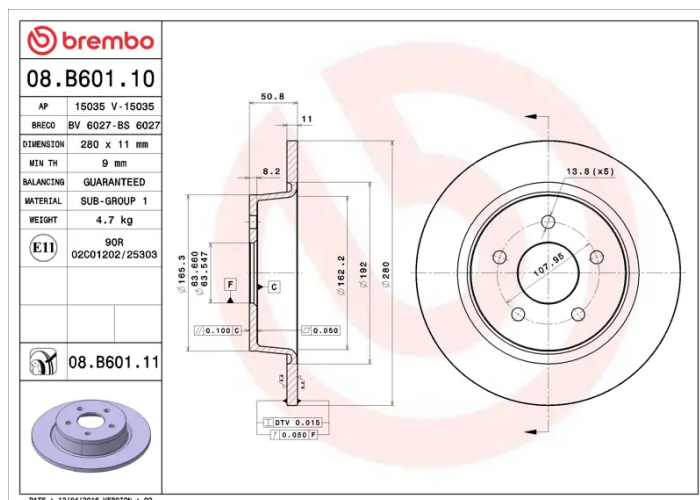
Number of holes (C)
5

Brake disc type
Solid

Centering (B)
64 mm

Min. thickness
9 mm

Tightening torque
90 Nm



COMPATIBLE VEHICLES

COMPATIBLE OE PART NUMBERS

1683383	FORD
1683384	FORD
1829615	FORD
AV612A315AA	FORD
AV612A315BA	FORD
CV6Z2C026B	FORD
CV6Z2C026C	FORD
DV612A315AB	FORD
DV612A315BA	FORD
DV6Z2C026A	FORD
CV6Z2C026C	FORD USA