



BRAKE DISC

08.B829.10

The **08.B829.10** brake disc is synonymous with reliability

The Brembo brake disc is fully interchangeable with an Original Equipment brake disc. The control of the entire production cycle allows Brembo to offer brake discs with outstanding performance levels, reliability, durability and comfort in all conditions of use. All Brembo brake discs are accompanied by the ECE-R90 homologation.

- ✓ OE-equivalent
- ✓ Brembo quality
- ✓ ECE-R90 certificate
- ✓ Safety
- ✓ High carbon
- ✓ Fastening screws



Technical specifications



EAN code
8020584037645

Axle
Rear

Diameter Ø
305 mm

Thickness (TH)
12 mm

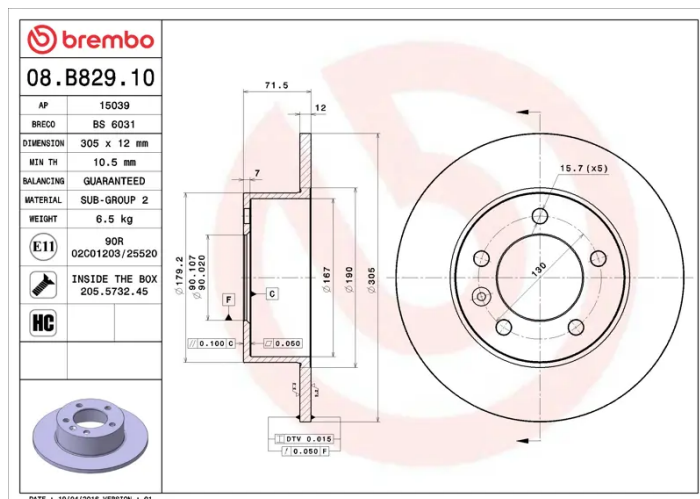
Height (A)
72 mm

Number of holes (C)
5

Brake disc type
Solid

Centering (B)
90 mm

Min. thickness
10,5 mm



COMPATIBLE OE PART NUMBERS

4320600Q0A NISSAN

4320600Q0J NISSAN

4419362 OPEL

93197406 OPEL

95528683 OPEL

432000367R RENAULT

432009822R RENAULT

8660003519 RENAULT

93197406 VAUXHALL

95528683 VAUXHALL
