



BRAKE DISC XTRA

09.7932.1X

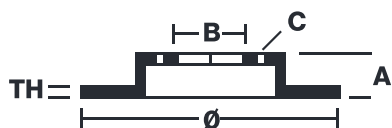
The 09.7932.1X Xtra brake disc is synonymous with reliability

The Brembo Xtra brake disc features holes on the braking surface. The holes are designed to improve the cooling of the braking system, to generate greater fading resistance and grip in the initial stages of braking. The sports look is also enhanced by the presence of the UV paint.

- ✓ Brembo quality
- ✓ ECE-R90 certificate
- ✓ Performance
- ✓ Sports driving
- ✓ Sporty look
- ✓ Anti-corrosion
- ✓ Fastening screws



Technical specifications



EAN code
8020584340363

Axle
Front

Diameter Ø
282 mm

Thickness (TH)
23 mm

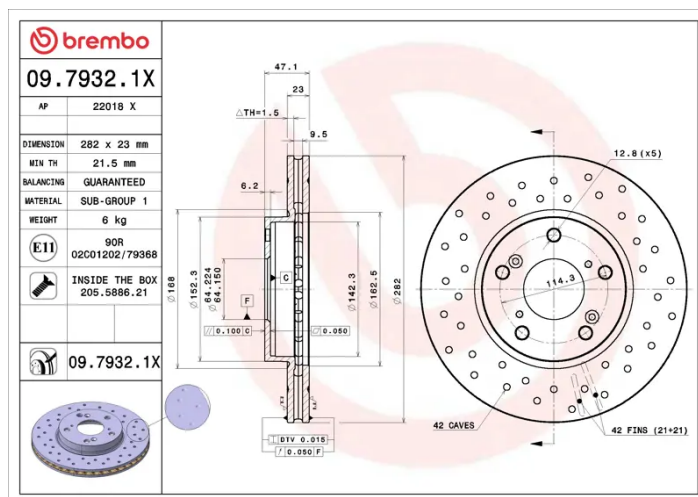
Height (A)
47,5 mm

Number of holes (C)
5

Brake disc type
Ventilated

Centering (B)
64 mm

Min. thickness
21,5 mm



COMPATIBLE VEHICLES

COMPATIBLE OE PART NUMBERS

45251TA5A00	ACURA
45251S87A00	HONDA
45251SDCA00	HONDA
45251T2FA00	HONDA
45251T2FA01	HONDA
45251TA0A00	HONDA
45251TA0A01	HONDA
45251TA0A02	HONDA
45251TA5A00	HONDA
45251TETH00	HONDA (DONGFENG)
45251S87A00	HONDA (GAC)
45251TETH00	HONDA (GAC)