



BRAKE DISC PAINTED

09.9510.11

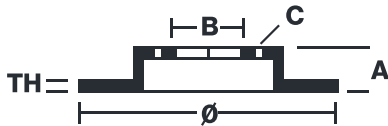
The 09.9510.11 painted brake disc is synonymous with reliability

The Brembo brake disc with special UV paint treatment guarantees superior corrosion resistance for the product, thanks to the protective coating on the outer edges and on the disc hub. The UV paint not only gives the disc a clean, shiny appearance but is also beneficial for the environment as the water-based UV paint treatment does not require the use of chemical solvents and is a low energy consumption process.

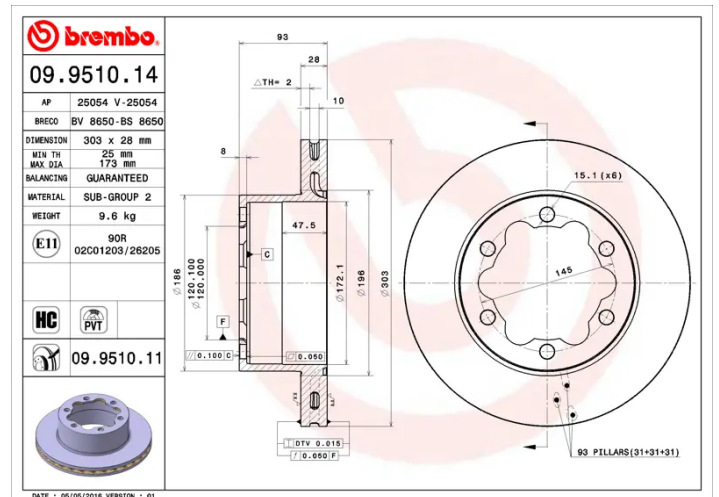
- ✓ OE-equivalent
- ✓ Brembo quality
- ✓ ECE-R90 certificate
- ✓ Safety
- ✓ High carbon
- ✓ Anti-corrosion
- ✓ PVT ventilation



Technical specifications



EAN code 8020584222133	Axle Rear	Diameter Ø 303 mm
Thickness (TH) 28 mm	Height (A) 93 mm	Number of holes (C) 6
Brake disc type Ventilated	Centering (B) 120 mm	Min. thickness 25 mm
Tightening torque 175 Nm		



COMPATIBLE VEHICLES

COMPATIBLE OE PART NUMBERS

68013765AA DODGE

9064230112 MERCEDES-BENZ

9074230100 MERCEDES-BENZ

907423010007 MERCEDES-BENZ

A9064230112 MERCEDES-BENZ

A9074230100 MERCEDES-BENZ

2E0615601 VW
