



BRAKE DISC PAINTED

09.9908.21

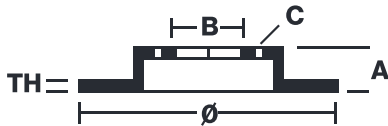
The 09.9908.21 painted brake disc is synonymous with reliability

The Brembo brake disc with special UV paint treatment guarantees superior corrosion resistance for the product, thanks to the protective coating on the outer edges and on the disc hub. The UV paint not only gives the disc a clean, shiny appearance but is also beneficial for the environment as the water-based UV paint treatment does not require the use of chemical solvents and is a low energy consumption process.



- ✓ OE-equivalent
- ✓ Brembo quality
- ✓ ECE-R90 certificate
- ✓ Safety
- ✓ High carbon
- ✓ Anti-corrosion
- ✓ Fastening screws

Technical specifications



EAN code
8020584990827

Axle
Rear

Diameter Ø
280 mm

Thickness (TH)
22 mm

Height (A)
42 mm

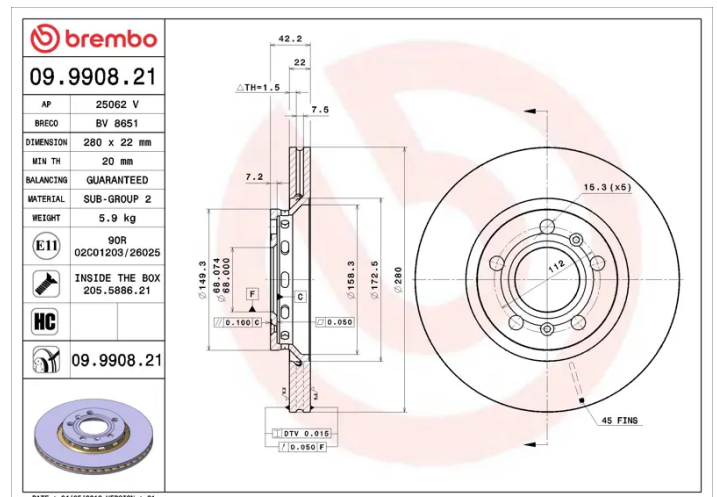
Number of holes (C)
5

Brake disc type
Ventilated

Centering (B)
68 mm

Min. thickness
20 mm

Tightening torque
120 Nm



COMPATIBLE VEHICLES

COMPATIBLE OE PART NUMBERS

3D0615601E	AUDI
------------	------

4E0615601	AUDI
-----------	------

4E0615601E	AUDI
------------	------

4E0615601J	AUDI
------------	------

3D0615601E	VW
------------	----

4E0615601	VW
-----------	----

4E0615601E	VW
------------	----

4E0615601J	VW
------------	----