



BRAKE DISC

09.A529.10

The **09.A529.10** brake disc is synonymous with reliability

The Brembo brake disc is fully interchangeable with an Original Equipment brake disc. The control of the entire production cycle allows Brembo to offer brake discs with outstanding performance levels, reliability, durability and comfort in all conditions of use. All Brembo brake discs are accompanied by the ECE-R90 homologation.

- ✓ OE-equivalent
- ✓ Brembo quality
- ✓ ECE-R90 certificate
- ✓ Safety
- ✓ PVT ventilation



Technical specifications



EAN code
8020584033616

Axle
Front

Diameter Ø
280 mm

Thickness (TH)
28 mm

Height (A)
54 mm

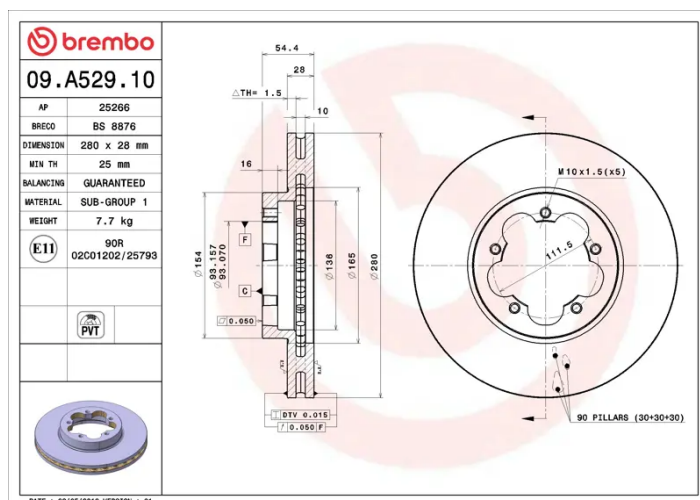
Number of holes (C)
5

Brake disc type
Ventilated

Centering (B)
93 mm

Min. thickness
25 mm

Tightening torque
100 Nm



COMPATIBLE VEHICLES

COMPATIBLE OE PART NUMBERS

1371394	FORD
---------	------

1503290	FORD
---------	------

1547061	FORD
---------	------

2256311	FORD
---------	------

6C111125B1B	FORD
-------------	------

6C111125BA	FORD
------------	------

6C111125BB	FORD
------------	------

ME6C1J1125BB	FORD
--------------	------
