



BRAKE DISC PAINTED

09.A601.11

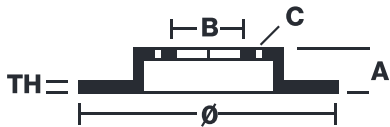
The **09.A601.11** painted brake disc is synonymous with reliability

The Brembo brake disc with special UV paint treatment guarantees superior corrosion resistance for the product, thanks to the protective coating on the outer edges and on the disc hub. The UV paint not only gives the disc a clean, shiny appearance but is also beneficial for the environment as the water-based UV paint treatment does not require the use of chemical solvents and is a low energy consumption process.

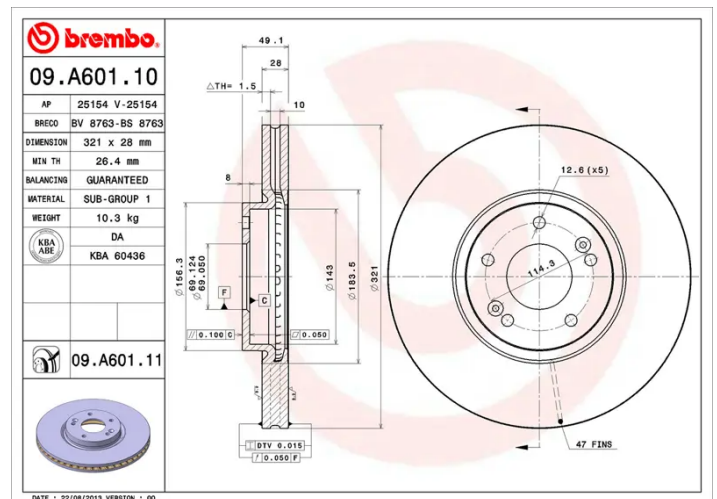
- ✓ OE-equivalent
- ✓ Brembo quality
- ✓ ECE-R90 certificate
- ✓ Safety
- ✓ Anti-corrosion



Technical specifications



EAN code	Axle	Diameter Ø
8020584033470	Front	321 mm
Thickness (TH)	Height (A)	Number of holes (C)
28 mm	49 mm	5
Brake disc type	Centering (B)	Min. thickness
Ventilated	69 mm	26,4 mm
Tightening torque		
100 Nm		



COMPATIBLE VEHICLES

COMPATIBLE OE PART NUMBERS

517122B700

HYUNDAI
