



BRAKE DISC

09.B265.10

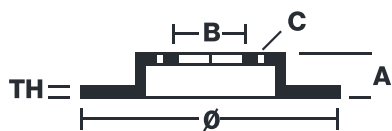
The **09.B265.10** brake disc is synonymous with reliability

The Brembo brake disc is fully interchangeable with an Original Equipment brake disc. The control of the entire production cycle allows Brembo to offer brake discs with outstanding performance levels, reliability, durability and comfort in all conditions of use. All Brembo brake discs are accompanied by the ECE-R90 homologation.

- ✓ OE-equivalent
- ✓ Brembo quality
- ✓ ECE-R90 certificate
- ✓ Safety



Technical specifications



EAN code
8020584039397

Axle
Rear

Diameter Ø
308 mm

Thickness (TH)
16 mm

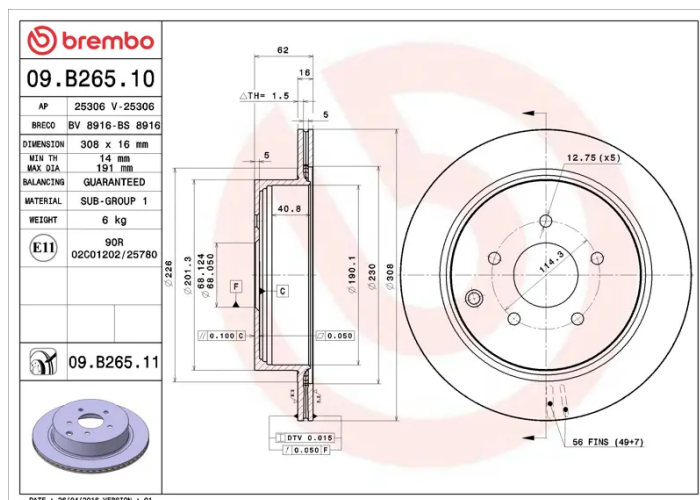
Height (A)
62 mm

Number of holes (C)
5

Brake disc type
Ventilated

Centering (B)
68 mm

Min. thickness
14 mm



COMPATIBLE OE PART NUMBERS

432063JA0A	INFINITI
------------	----------

43206CA000	INFINITI
------------	----------

432063JA0A	NISSAN
------------	--------

43206CA000	NISSAN
------------	--------

43206CN000	NISSAN
------------	--------

43206WL000	NISSAN
------------	--------

43206CA000	NISSAN (DFAC)
------------	---------------