



BRAKE DISC

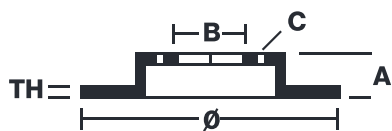
09.B531.10

The **09.B531.10** brake disc is synonymous with reliability

The Brembo brake disc is fully interchangeable with an Original Equipment brake disc. The control of the entire production cycle allows Brembo to offer brake discs with outstanding performance levels, reliability, durability and comfort in all conditions of use. All Brembo brake discs are accompanied by the ECE-R90 homologation.

- ✓ OE-equivalent
- ✓ Brembo quality
- ✓ ECE-R90 certificate
- ✓ Safety

Technical specifications



EAN code
8020584230534

Axle
Rear

Diameter Ø
308 mm

Thickness (TH)
16 mm

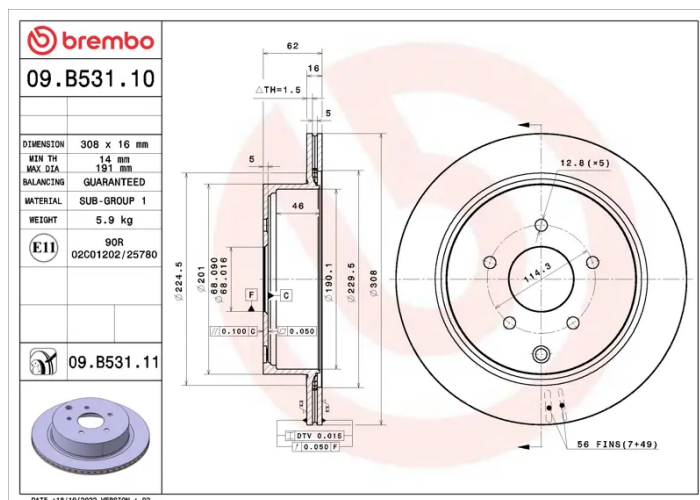
Height (A)
62 mm

Number of holes (C)
5

Brake disc type
Ventilated

Centering (B)
68 mm

Min. thickness
14 mm



COMPATIBLE VEHICLES

COMPATIBLE OE PART NUMBERS

432062V70A	INFINITI
------------	----------

432062V70AC166	INFINITI
----------------	----------

43206CK000	INFINITI
------------	----------

432062V70A	INFINITI (DFAC)
------------	-----------------

43206CK000	NISSAN
------------	--------

432062V70A	NISSAN (DFAC)
------------	---------------