



BRAKE DISC PAINTED

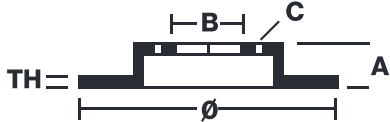
09.E137.11

The 09.E137.11 painted brake disc is synonymous with reliability

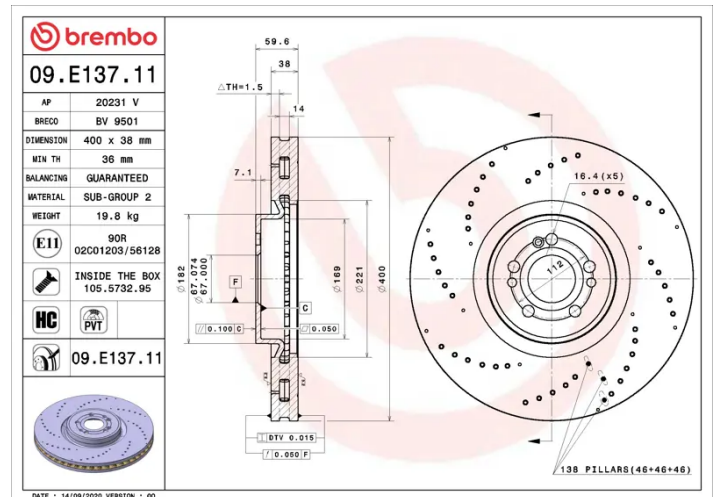
The Brembo brake disc with special UV paint treatment guarantees superior corrosion resistance for the product, thanks to the protective coating on the outer edges and on the disc hub. The UV paint not only gives the disc a clean, shiny appearance but is also beneficial for the environment as the water-based UV paint treatment does not require the use of chemical solvents and is a low energy consumption process.

- ✓ OE-equivalent
- ✓ Brembo quality
- ✓ ECE-R90 certificate
- ✓ Safety
- ✓ High carbon
- ✓ Anti-corrosion
- ✓ Fastening screws

Technical specifications



EAN code 8020584313541	Axle Front	Diameter Ø 400 mm
Thickness (TH) 38 mm	Height (A) 60 mm	Number of holes (C) 5
Brake disc type Ventilated	Centering (B) 67 mm	Min. thickness 36 mm



COMPATIBLE VEHICLES

COMPATIBLE OE PART NUMBERS

1674211201	MERCEDES-BENZ
------------	---------------

167421120107	MERCEDES-BENZ
--------------	---------------

A1674211201	MERCEDES-BENZ
-------------	---------------

A167421120107	MERCEDES-BENZ
---------------	---------------
