



BEYOND EV KIT

KT 08 007

EV Kit KT 08 007 comprises brake discs and pads designed for electric cars

The use of regenerative braking, in electric vehicles, entails a more discontinuous use of the friction brake compared to a car with a combustion engine. For this reason, special attention is required to avoid the corrosion of brake discs and brake pads. The Brembo EV brake kit, comprising brake discs and brake pads dedicated specifically to electric cars, avoids early corrosion of the braking system, keeping it effective and safe for longer.



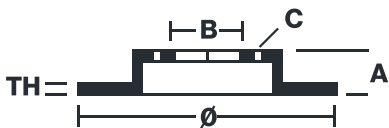
- ✓ Brembo quality
- ✓ ECE-R90 certificate
- ✓ Comfort
- ✓ Durability
- ✓ Dust reduction
- ✓ Quick assembly
- ✓ Anti-corrosion
- ✓ Kit

Kit information

EAN code Brake discs per box Brake pads per box
8432509503119 2 4

Axle
Front

Brake disc technical specifications



Diameter	Thickness (TH)	Height (A)
355 mm	32 mm	44 mm
Number of holes (C)	Brake disc type	Centering (B)
5	Solid	70 mm
Min. thickness		

09.Y319.1E

DIMENSION	355 x 32 mm
MIN TH	30 mm
BALANCING	GUARANTEED
MATERIAL	SUB-GROUP 2
WEIGHT	11.1 kg
E11	90R 02C01203/32832
HC	PVT
09.Y319.1E	

DATE : 18/01/2022 VERSION : 00

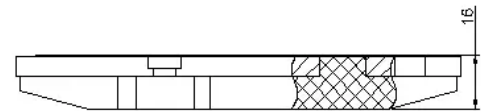
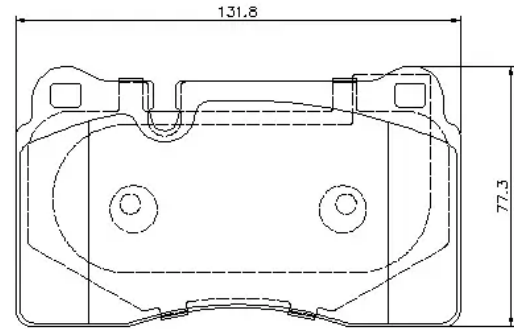
30 mm

Brake pad technical specifications

Thickness	Width	Height
32 mm	132 mm	77 mm

Braking system	Wear indicator	WVA number
Brembo	Prepared for wear indicator	24098

Accessories
With anti-squeal shim



4PCS/SET

COMPATIBLE OE PART NUMBERS

0002154AC	NIO
P0002154AC	NIO
P0059551AA	NIO
P0059551AB	NIO
P0200189AA	NIO
P0200189AB	NIO