



# BRAKE PAD PRIME CERAMIC P06021N

The P06021N NAO brake pad is synonymous with reliability

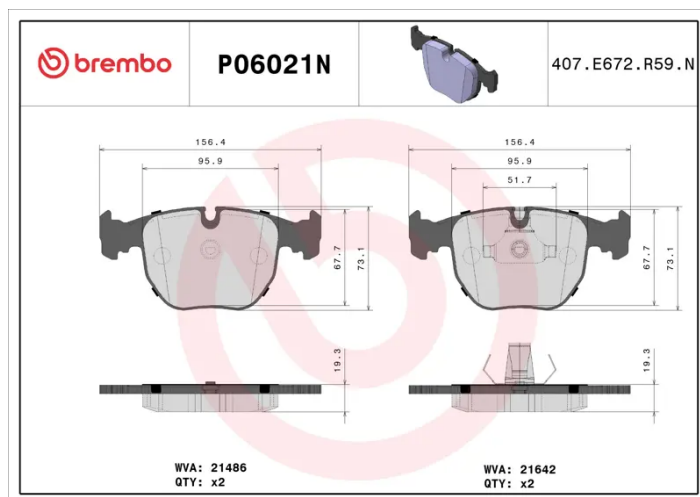
Brembo NAO brake pads stand out for their ultimate braking comfort, reduced friction wear and low dust mission, which makes for cleaner rims and reduced maintenance requirements. The advanced friction material in keeping with the strictest environmental standards is the main distinguishing feature of NAO compounds.

- ✓ OE-equivalent
- ✓ Brembo quality
- ✓ Safety
- ✓ Comfort
- ✓ Durability
- ✓ Dust reduction
- ✓ With accessories



## Technical specifications

EAN code <b>8020584095836</b>	Axle <b>Front</b>	Thickness <b>19 mm</b>
Width <b>156 mm</b>	Height <b>73 mm</b>	Braking system <b>Teves</b>
Wear indicator <b>Prepared for wear indicator</b>	WVA number <b>21486,21642</b>	Accessories <b>With accessories With anti-squeal shim With piston clip</b>



COMPATIBLE VEHICLES

## COMPATIBLE OE PART NUMBERS

34111163227 BMW

---

34111163307 BMW

---

34111165227 BMW

---

34112157589 BMW

---

34112180419 BMW

---

34112229031 BMW

---

34112282090 BMW

---

34112282165 BMW

---

34112282166 BMW

---

34112282556 BMW

---

34112357230 BMW

---

34113427503 BMW

---

34116761252 BMW

---