

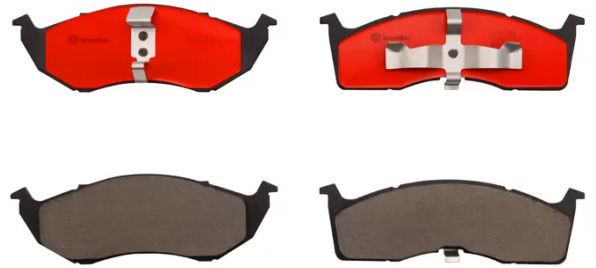


BRAKE PAD PRIME CERAMIC P11038N

The P11038N NAO brake pad is synonymous with reliability

Brembo NAO brake pads stand out for their ultimate braking comfort, reduced friction wear and low dust mission, which makes for cleaner rims and reduced maintenance requirements. The advanced friction material in keeping with the strictest environmental standards is the main distinguishing feature of NAO compounds.

- ✓ OE-equivalent
- ✓ Brembo quality
- ✓ Safety
- ✓ Comfort
- ✓ Durability
- ✓ Dust reduction
- ✓ With accessories



Technical specifications

EAN code
8020584080009

Axle
Front

Thickness
16 mm

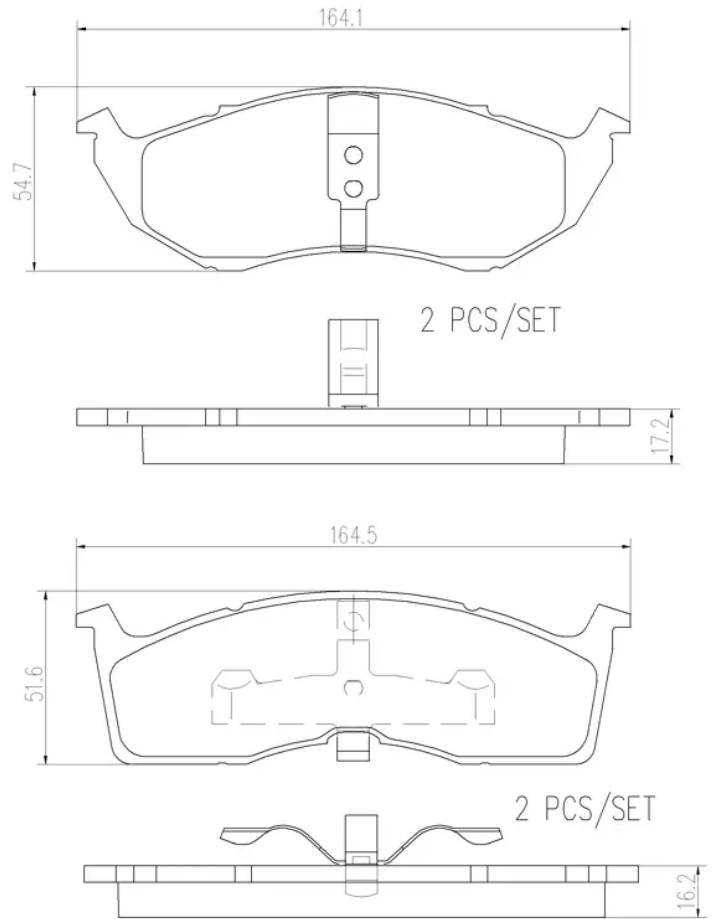
Width
164 mm

Height
52 mm

Braking system
Kelsey Hayes

Wear indicator
Without

Accessories
With accessories
With anti-squeal shim
With piston clip



COMPATIBLE VEHICLES

COMPATIBLE OE PART NUMBERS

04762682 CHRYSLER

04773264 CHRYSLER

04797568 CHRYSLER

04882106 CHRYSLER

04882107 CHRYSLER

05011067AA CHRYSLER

05011069AA CHRYSLER

05014527AA CHRYSLER

05018595AA CHRYSLER

05086167AA CHRYSLER

4762682 CHRYSLER

4773264 CHRYSLER

4797568 CHRYSLER

4882106 CHRYSLER

4882107 CHRYSLER

5011067AA CHRYSLER

5011069AA CHRYSLER

5014527AA CHRYSLER

5018595AA CHRYSLER

5086167AA CHRYSLER

K05011067AA CHRYSLER

05014438AA DODGE

05014527AA DODGE

05018595AA DODGE

05086167AA DODGE

5014438AA DODGE

5014527AA DODGE

5018595AA DODGE

5086167AA DODGE
