



# BRAKE PAD PRIME CERAMIC P15005N

The P15005N NAO brake pad is  
synonymous with reliability



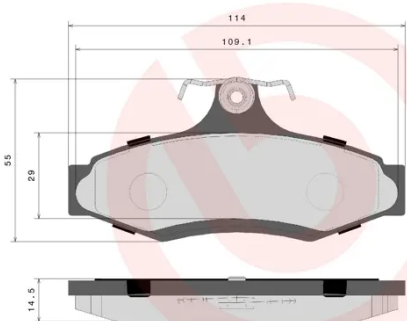
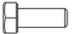
Brembo NAO brake pads stand out for their ultimate braking comfort, reduced friction wear and low dust mission, which makes for cleaner rims and reduced maintenance requirements. The advanced friction material in keeping with the strictest environmental standards is the main distinguishing feature of NAO compounds.

- ✓ OE-equivalent
- ✓ Brembo quality
- ✓ Safety
- ✓ Comfort
- ✓ Durability
- ✓ Dust reduction
- ✓ With accessories



## Technical specifications

EAN code <b>8020584086568</b>	Axle <b>Rear</b>	Thickness <b>15 mm</b>
Width <b>114 mm</b>	Height <b>55 mm</b>	Braking system <b>Lucas</b>
Wear indicator <b>Without</b>	WVA number <b>23237</b>	Accessories <b>With accessories</b> <b>With anti-squeal shim</b> <b>With brake caliper bolts</b>

	<b>P15005N</b>		407.E672.A77.N
			
<p>WVA: 23237 QTY: x4</p>			
<small>DATE : 01/12/2023 VERSION : 00</small>			

COMPATIBLE VEHICLES

## COMPATIBLE OE PART NUMBERS

96391892	CHEVROLET
----------	-----------

AW346513	CHEVROLET
----------	-----------

54521006	CHEVROLET
----------	-----------

96245179	DAEWOO
----------	--------

96253368	DAEWOO
----------	--------

54521001	DAEWOO
----------	--------

54521006	DAEWOO
----------	--------