



BRAKE PAD PRIME CERAMIC P23149N

The P23149N NAO brake pad is synonymous with reliability

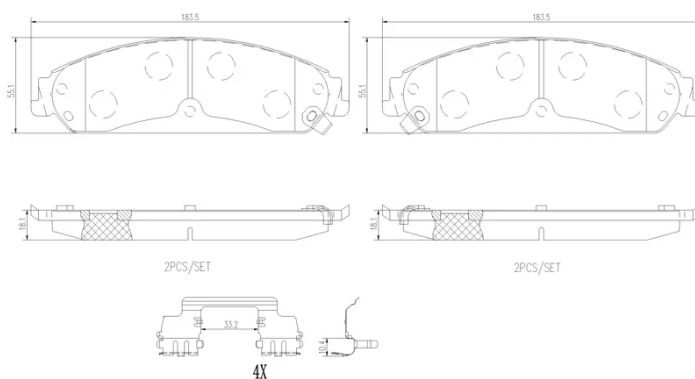
Brembo NAO brake pads stand out for their ultimate braking comfort, reduced friction wear and low dust mission, which makes for cleaner rims and reduced maintenance requirements. The advanced friction material in keeping with the strictest environmental standards is the main distinguishing feature of NAO compounds.

- ✓ OE-equivalent
- ✓ Brembo quality
- ✓ Safety
- ✓ Comfort
- ✓ Durability
- ✓ Dust reduction
- ✓ With accessories



Technical specifications

EAN code 8020584116920	Axle Front	Thickness 17 mm
Width 184 mm	Height 55 mm	Braking system Bosch
Wear indicator Acoustic	WVA number 25605,25606	Accessories With accessories With anti-squeal shim With brake caliper bolts



COMPATIBLE VEHICLES

COMPATIBLE OE PART NUMBERS

00K68147681AA CHRYSLER

05137688AA CHRYSLER

05142558AB CHRYSLER

05142558AC CHRYSLER

068147681AA CHRYSLER

5137688AA CHRYSLER

5142558AB CHRYSLER

5142558AC CHRYSLER

68147681AA CHRYSLER

68147681AB CHRYSLER

68185434AA CHRYSLER

68185543AA CHRYSLER

K05137688AA CHRYSLER

K68185543AA CHRYSLER

00K68185434AA FIAT

05137688AA FIAT

68147681AA FIAT

00K68147681AB LANCIA

05137688AA LANCIA

68147681AA LANCIA

68185434AA LANCIA

K68147681AA LANCIA

K68185434AA LANCIA
