



BRAKE PAD PRIME CERAMIC P28008N

The P28008N NAO brake pad is synonymous with reliability

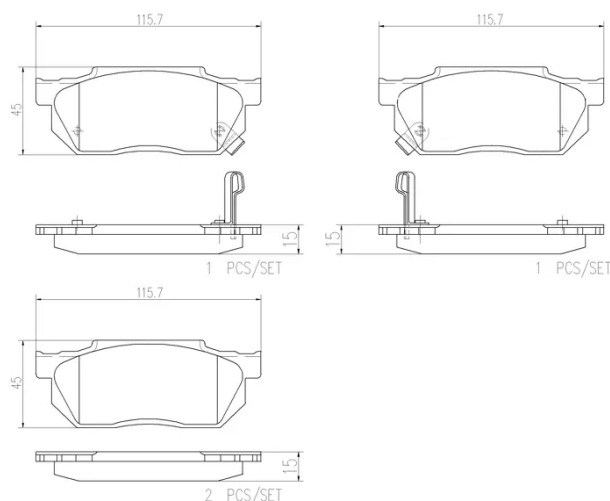
Brembo NAO brake pads stand out for their ultimate braking comfort, reduced friction wear and low dust mission, which makes for cleaner rims and reduced maintenance requirements. The advanced friction material in keeping with the strictest environmental standards is the main distinguishing feature of NAO compounds.

- ✓ OE-equivalent
- ✓ Brembo quality
- ✓ Safety
- ✓ Comfort
- ✓ Durability
- ✓ Dust reduction
- ✓ With accessories



Technical specifications

EAN code 8020584085370	Axle Front	Thickness 15 mm
Width 116 mm	Height 45 mm	Braking system Akebono
Wear indicator Acoustic	WVA number 20193,20194,20959	Accessories With anti-squeal shim



COMPATIBLE OE PART NUMBERS

06450S3Y010 HONDA

06450S3YA00 HONDA

06450S3YA10 HONDA

06450S3YJ00 HONDA

06450SAA000 HONDA

06450SAA010 HONDA

06450SAP000 HONDA

064A5SB0670 HONDA

064A5SB2670 HONDA

45022S04910 HONDA

45022S04911 HONDA

45022S04912 HONDA

45022S3YA10 HONDA

45022S50000 HONDA

45022S50J50 HONDA

45022SA5000 HONDA

45022SA5010 HONDA

45022SA5020 HONDA

45022SAA000 HONDA

45022SAA010 HONDA

45022SAAX00 HONDA

45022SAP000 HONDA

45022SB0505 HONDA

45022SB0506 HONDA

45022SB0516 HONDA

45022SB0526 HONDA

45022SB0670 HONDA

45022SB0671 HONDA

45022SB0672 HONDA

45022SB2505 HONDA

45022SB2515 HONDA

45022SB2525 HONDA

45022SB2670 HONDA

45022SB2671 HONDA

45022SB2672 HONDA

45022SB2674 HONDA

45022SB2675 HONDA

45022SB2A00 HONDA

45022SH2505 HONDA

45022SH2A00 HONDA

45022SH2A01 HONDA

45022SH2A02 HONDA

45022SH3526 HONDA

45022SH3G00 HONDA

45022SH3N30 HONDA

45022SH3N31	HONDA
45022SH3N32	HONDA
45022SR3505	HONDA
45022SR3506	HONDA
45022SR3515	HONDA
45022SR3516	HONDA
45022SR3910	HONDA
45022SX8T00	HONDA
45022SX8T01	HONDA
H4502S50003	HONDA
H4502SAA003	HONDA
H4502SAA004	HONDA
AY040HN008	NISSAN
26296TC060	SUBARU
26296TC061	SUBARU