



# BRAKE PAD PRIME CERAMIC P30112N

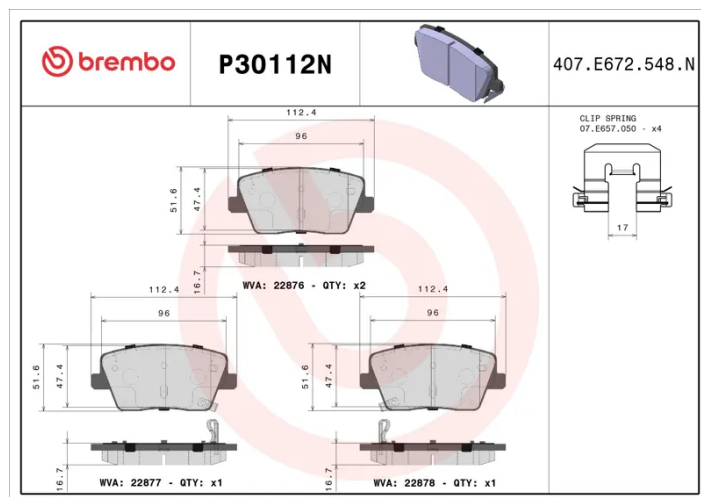
The P30112N NAO brake pad is  
synonymous with reliability

Brembo NAO brake pads stand out for their ultimate braking comfort, reduced friction wear and low dust mission, which makes for cleaner rims and reduced maintenance requirements. The advanced friction material in keeping with the strictest environmental standards is the main distinguishing feature of NAO compounds.

- ✓ OE-equivalent
- ✓ Brembo quality
- ✓ Safety
- ✓ Comfort
- ✓ Durability
- ✓ Dust reduction
- ✓ With accessories

## Technical specifications

EAN code <b>8020584118733</b>	Axle <b>Rear</b>	Thickness <b>17 mm</b>
Width <b>112 mm</b>	Height <b>52 mm</b>	
Wear indicator <b>Acoustic</b>	WVA number <b>22876,22877,22878</b>	Accessories <b>With anti-squeal shim</b>



COMPATIBLE VEHICLES

## COMPATIBLE OE PART NUMBERS

5830250A30	HYUNDAI
------------	---------

---

5830213A00	HYUNDAI
------------	---------

---

58302K9A50	HYUNDAI
------------	---------

---

5830250A30	HYUNDAI
------------	---------

---

5830250A50	HYUNDAI
------------	---------

---

5830250A51	HYUNDAI
------------	---------

---