



# BRAKE PAD PRIME CERAMIC P44028N

The P44028N NAO brake pad is synonymous with reliability

Brembo NAO brake pads stand out for their ultimate braking comfort, reduced friction wear and low dust mission, which makes for cleaner rims and reduced maintenance requirements. The advanced friction material in keeping with the strictest environmental standards is the main distinguishing feature of NAO compounds.

- ✓ OE-equivalent
- ✓ Brembo quality
- ✓ Safety
- ✓ Comfort
- ✓ Durability
- ✓ Dust reduction
- ✓ With accessories

## Technical specifications

EAN code  
8020584119327

Axle  
Front

Thickness  
17 mm

Width  
175 mm

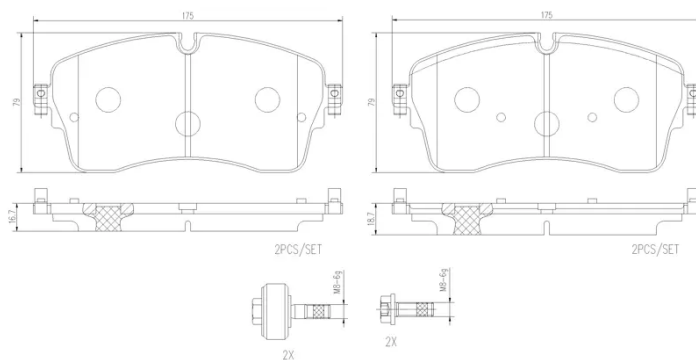
Height  
79 mm

Braking system  
ATE

Wear indicator  
Prepared for wear indicator

WVA number  
22485,22486

Accessories  
With accessories  
With anti-squeal shim  
With brake caliper bolts



COMPATIBLE VEHICLES

## COMPATIBLE OE PART NUMBERS

J9C21385 JAGUAR

---

J9C35094 JAGUAR

---

JDE39759 JAGUAR

---

HJ322K021EA LAND ROVER

---

JPLA2K021CA LAND ROVER

---

LR091308 LAND ROVER

---

LR091568 LAND ROVER

---

LR110409 LAND ROVER

---

LR128251 LAND ROVER

---

LR134638 LAND ROVER

---

LR134644 LAND ROVER

---

LR139155 LAND ROVER

---

LR162044 LAND ROVER

---

LR162045 LAND ROVER

---

LR164029 LAND ROVER

---

LR314638 LAND ROVER

---