



BRAKE PAD PRIME CERAMIC P50085N

The P50085N NAO brake pad is synonymous with reliability

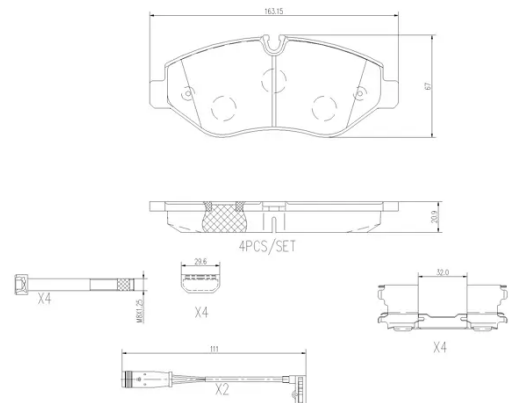
Brembo NAO brake pads stand out for their ultimate braking comfort, reduced friction wear and low dust mission, which makes for cleaner rims and reduced maintenance requirements. The advanced friction material in keeping with the strictest environmental standards is the main distinguishing feature of NAO compounds.

- ✓ OE-equivalent
- ✓ Brembo quality
- ✓ Safety
- ✓ Comfort
- ✓ Durability
- ✓ Dust reduction
- ✓ With accessories



Technical specifications

EAN code 8020584098585	Axle Front	Thickness 21 mm
Width 163 mm	Height 67 mm	Braking system Brembo PF 2.48
Wear indicator Electric	WVA number 29192	Accessories With accessories With anti-squeal shim With brake caliper bolts



COMPATIBLE VEHICLES

COMPATIBLE OE PART NUMBERS

2E0698151	AUDI
2E0698151B	AUDI
2E0698151E	AUDI
JZW698151AB	AUDI
68055461AA	CHRYSLER
68006732AA	DODGE
68006732AC	DODGE
68055461AD	DODGE
68006732AA	FREIGHTLINER
68006732AB	FREIGHTLINER
68006732AC	FREIGHTLINER
68055461AD	FREIGHTLINER
0044206720	MERCEDES-BENZ
0044208320	MERCEDES-BENZ
0054202120	MERCEDES-BENZ
0054205220	MERCEDES-BENZ
0054207020	MERCEDES-BENZ
0064208420	MERCEDES-BENZ
0084205020	MERCEDES-BENZ
9064210010	MERCEDES-BENZ
9064210400	MERCEDES-BENZ
9064210700	MERCEDES-BENZ
9064211600	MERCEDES-BENZ
9064212100	MERCEDES-BENZ
9104204000	MERCEDES-BENZ
A0044206720	MERCEDES-BENZ
A0044208320	MERCEDES-BENZ
A0054202120	MERCEDES-BENZ
A0054205220	MERCEDES-BENZ
A0054207020	MERCEDES-BENZ
A0064208420	MERCEDES-BENZ
A0084205020	MERCEDES-BENZ
A9064210010	MERCEDES-BENZ
A9064210400	MERCEDES-BENZ
A9064210700	MERCEDES-BENZ
A9064211600	MERCEDES-BENZ
A9064212100	MERCEDES-BENZ
A9074208101	MERCEDES-BENZ
A9104204000	MERCEDES-BENZ
A9104207600	MERCEDES-BENZ
2E0698151	SEAT
2E0698151B	SEAT
2E0698151E	SEAT
JZW698151AB	SEAT
2E0698151	SKODA

2E0698151B SKODA

2E0698151E SKODA

JZW698151AB SKODA

2E0698151 VW

2E0698151B VW

2E0698151E VW

2E0698151H VW

JZW698151AB VW
