



BRAKE PAD PRIME CERAMIC P50111N

The P50111N NAO brake pad is synonymous with reliability

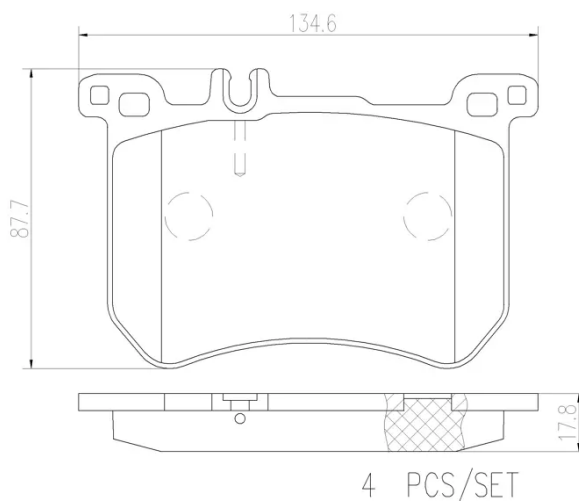
Brembo NAO brake pads stand out for their ultimate braking comfort, reduced friction wear and low dust mission, which makes for cleaner rims and reduced maintenance requirements. The advanced friction material in keeping with the strictest environmental standards is the main distinguishing feature of NAO compounds.

- ✓ OE-equivalent
- ✓ Brembo quality
- ✓ Safety
- ✓ Comfort
- ✓ Durability
- ✓ Dust reduction
- ✓ With accessories



Technical specifications

EAN code 8020584089033	Axle Front	Thickness 18 mm
Width 135 mm	Height 88 mm	Braking system Brembo
Wear indicator Prepared for wear indicator	WVA number 25183	Accessories With anti-squeal shim



COMPATIBLE VEHICLES

COMPATIBLE OE PART NUMBERS

0004202705 MERCEDES-BENZ

0064204920 MERCEDES-BENZ

0064209720 MERCEDES-BENZ

0074203220 MERCEDES-BENZ

0074204020 MERCEDES-BENZ

0084200120 MERCEDES-BENZ

0084203520 MERCEDES-BENZ

A0004202705 MERCEDES-BENZ

A0064204920 MERCEDES-BENZ

A0064209720 MERCEDES-BENZ

A0074203220 MERCEDES-BENZ

A0074204020 MERCEDES-BENZ

A0084200120 MERCEDES-BENZ

A0084203520 MERCEDES-BENZ
