



BRAKE PAD PRIME CERAMIC P50132N

The P50132N NAO brake pad is
synonymous with reliability



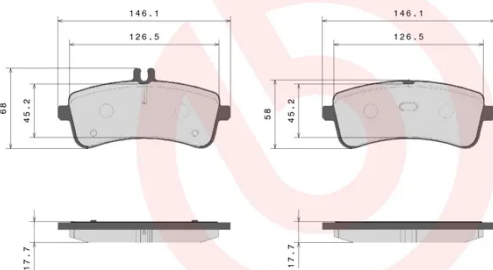
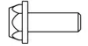
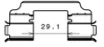
Brembo NAO brake pads stand out for their ultimate braking comfort, reduced friction wear and low dust mission, which makes for cleaner rims and reduced maintenance requirements. The advanced friction material in keeping with the strictest environmental standards is the main distinguishing feature of NAO compounds.

- ✓ OE-equivalent
- ✓ Brembo quality
- ✓ Safety
- ✓ Comfort
- ✓ Durability
- ✓ Dust reduction
- ✓ With accessories



Technical specifications

EAN code 8020584089101	Axle Rear	Thickness 18 mm
Width 146 mm	Height 58 mm	Braking system TRW
Wear indicator Prepared for wear indicator	WVA number 25163,25164	Accessories With accessories With anti-squeal shim With brake caliper bolts

	P50132N		407.E672.820.N
		<small>SCREW MSx1.25x22 05.E659.002 - x4</small>  <small>SPRING CLIP 07.E658.027 - x4</small> 	
<small>WVA: 25163 QTY: x2</small>		<small>WVA: 25164 QTY: x2</small>	
<small>DATE : 12/12/2023 VERSION : 00</small>			

COMPATIBLE VEHICLES

COMPATIBLE OE PART NUMBERS

0004203700	MERCEDES-BENZ
------------	---------------

0004204004	MERCEDES-BENZ
------------	---------------

0004204504	MERCEDES-BENZ
------------	---------------

0004208305	MERCEDES-BENZ
------------	---------------

0004209202	MERCEDES-BENZ
------------	---------------

A0004203700	MERCEDES-BENZ
-------------	---------------

A0004204004	MERCEDES-BENZ
-------------	---------------

A0004204504	MERCEDES-BENZ
-------------	---------------

A0004208305	MERCEDES-BENZ
-------------	---------------

A0004209202	MERCEDES-BENZ
-------------	---------------