

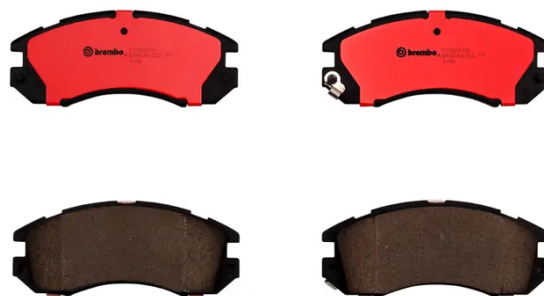


# BRAKE PAD PRIME CERAMIC P78004N

The P78004N NAO brake pad is synonymous with reliability

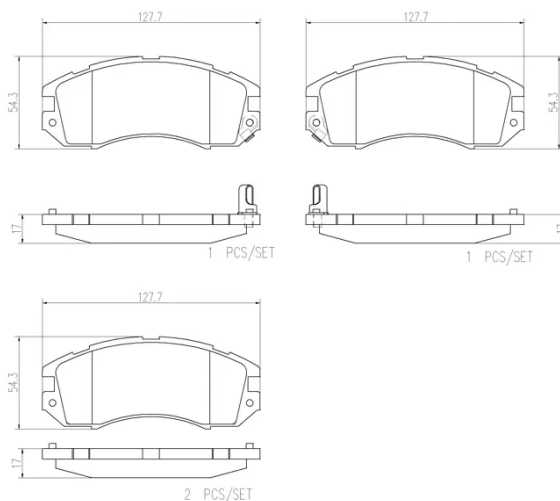
Brembo NAO brake pads stand out for their ultimate braking comfort, reduced friction wear and low dust mission, which makes for cleaner rims and reduced maintenance requirements. The advanced friction material in keeping with the strictest environmental standards is the main distinguishing feature of NAO compounds.

- ✓ OE-equivalent
- ✓ Brembo quality
- ✓ Safety
- ✓ Comfort
- ✓ Durability
- ✓ Dust reduction
- ✓ With accessories



## Technical specifications

EAN code <b>8020584086032</b>	Axle <b>Front</b>	Thickness <b>17 mm</b>
Width <b>128 mm</b>	Height <b>54 mm</b>	Braking system <b>Akebono</b>
Wear indicator <b>Acoustic</b>	WVA number <b>21495,21496,21503</b>	Accessories <b>With anti-squeal shim</b>



COMPATIBLE VEHICLES

## COMPATIBLE OE PART NUMBERS

AY040FJ001	NISSAN
26296AA000	SUBARU
26296AA020	SUBARU
26296AA030	SUBARU
26296AA100	SUBARU
26296AA101	SUBARU
26296AA120	SUBARU
26296AA121	SUBARU
26296AA130	SUBARU
26296AA131	SUBARU
26296AA141	SUBARU
26296AA142	SUBARU
26296AA143	SUBARU
26296AA160	SUBARU
26296AA161	SUBARU
26296AA162	SUBARU
26296AA163	SUBARU
26296FA000	SUBARU
26296FA001	SUBARU
26296FA020	SUBARU
26296FA021	SUBARU
26296FA022	SUBARU
26310AA010	SUBARU