



BRAKE PAD PRIME CERAMIC P83105N

The P83105N NAO brake pad is synonymous with reliability

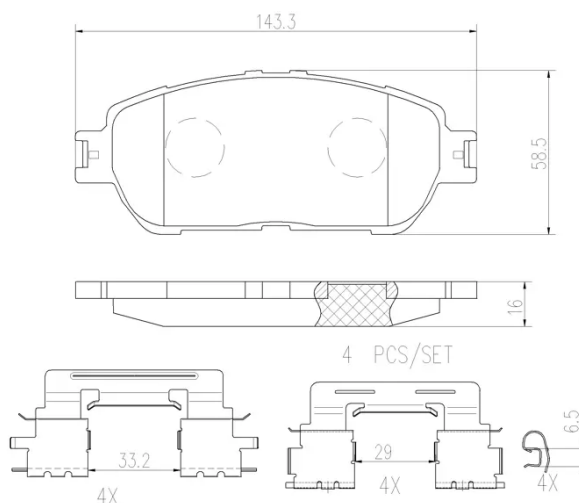
Brembo NAO brake pads stand out for their ultimate braking comfort, reduced friction wear and low dust mission, which makes for cleaner rims and reduced maintenance requirements. The advanced friction material in keeping with the strictest environmental standards is the main distinguishing feature of NAO compounds.

- ✓ OE-equivalent
- ✓ Brembo quality
- ✓ Safety
- ✓ Comfort
- ✓ Durability
- ✓ Dust reduction
- ✓ With accessories



Technical specifications

EAN code 8020584085172	Axle Front	Thickness 16 mm
Width 143 mm	Height 59 mm	Braking system Akebono
Wear indicator Acoustic	WVA number 23855	Accessories With anti-squeal shim



COMPATIBLE VEHICLES

COMPATIBLE OE PART NUMBERS

0446533270 LEXUS

0446533280 LEXUS

446533340 LEXUS

0446504080 TOYOTA

0446508030 TOYOTA

0446521020 TOYOTA

0446528510 TOYOTA

0446533350 TOYOTA

0446565020 TOYOTA

0446565021 TOYOTA

04465YZZEA TOYOTA
