

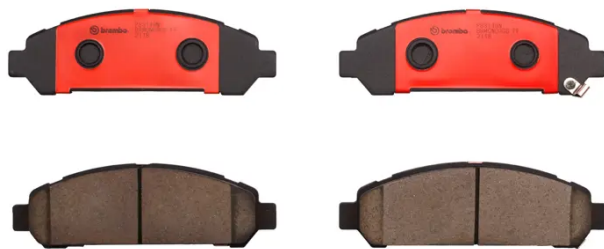


BRAKE PAD PRIME CERAMIC P83149N

The P83149N NAO brake pad is synonymous with reliability

Brembo NAO brake pads stand out for their ultimate braking comfort, reduced friction wear and low dust mission, which makes for cleaner rims and reduced maintenance requirements. The advanced friction material in keeping with the strictest environmental standards is the main distinguishing feature of NAO compounds.

- ✓ OE-equivalent
- ✓ Brembo quality
- ✓ Safety
- ✓ Comfort
- ✓ Durability
- ✓ Dust reduction
- ✓ With accessories



Technical specifications

EAN code
8020584082669

Axle
Front and rear

Thickness
19 mm

Width
168 mm

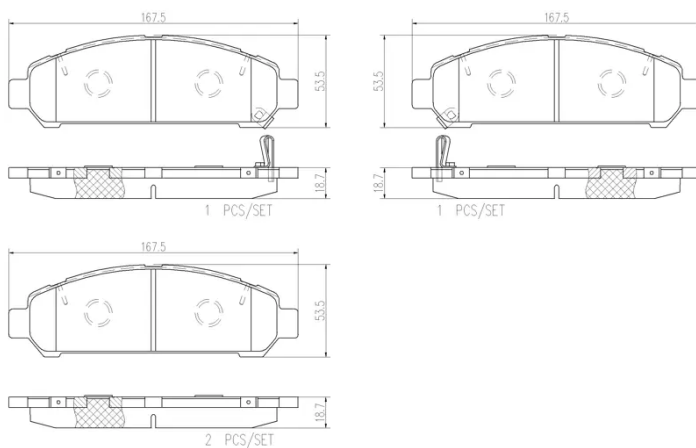
Height
54 mm

Braking system
TRW

Wear indicator
Acoustic

WVA number
22001,25999

Accessories
**With accessories
With anti-squeal shim**



COMPATIBLE VEHICLES

COMPATIBLE OE PART NUMBERS

044650T010

TOYOTA