



BRAKE PAD PRIME CERAMIC P85149N

The P85149N NAO brake pad is synonymous with reliability

Brembo NAO brake pads stand out for their ultimate braking comfort, reduced friction wear and low dust mission, which makes for cleaner rims and reduced maintenance requirements. The advanced friction material in keeping with the strictest environmental standards is the main distinguishing feature of NAO compounds.

- ✓ OE-equivalent
- ✓ Brembo quality
- ✓ Safety
- ✓ Comfort
- ✓ Durability
- ✓ Dust reduction
- ✓ With accessories



Technical specifications

EAN code
8020584114599

Axle
Front

Thickness
19 mm

Width
155 mm

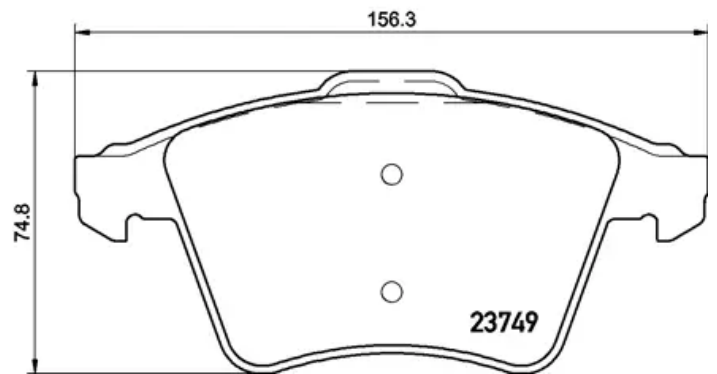
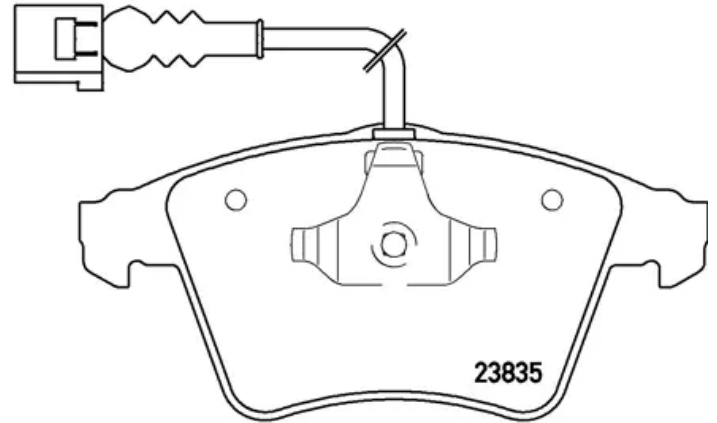
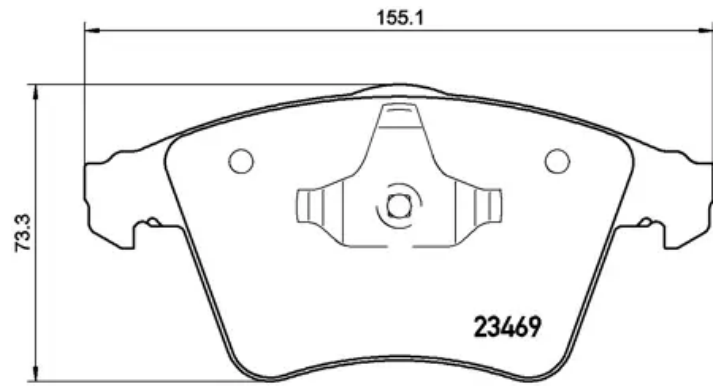
Height
73 mm

Braking system
Teves

Wear indicator
Electric

WVA number
23469,23749,23835

Accessories
With accessories
With anti-squeal shim
With piston clip



COMPATIBLE VEHICLES

COMPATIBLE OE PART NUMBERS

7L6698151F	AUDI
7L6698151F	SEAT
7L6698151F	SKODA
7L6698151F	VW