



BRAKE PAD PRIME CERAMIC P86020N

The P86020N NAO brake pad is synonymous with reliability

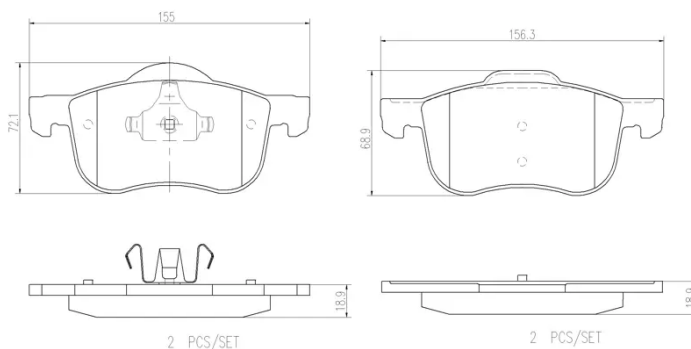
Brembo NAO brake pads stand out for their ultimate braking comfort, reduced friction wear and low dust mission, which makes for cleaner rims and reduced maintenance requirements. The advanced friction material in keeping with the strictest environmental standards is the main distinguishing feature of NAO compounds.

- ✓ OE-equivalent
- ✓ Brembo quality
- ✓ Safety
- ✓ Comfort
- ✓ Durability
- ✓ Dust reduction
- ✓ With accessories



Technical specifications

EAN code 8020584114643	Axle Front	Thickness 19 mm
Width 155 mm	Height 72 mm	Braking system Teves
Wear indicator Without	WVA number 23074,23249	Accessories With accessories With anti-squeal shim With piston clip



COMPATIBLE VEHICLES

COMPATIBLE OE PART NUMBERS

31262503	VOLVO
----------	-------

312625030	VOLVO
-----------	-------

8623861	VOLVO
---------	-------

86238610	VOLVO
----------	-------
