



BRAKE PAD

P 10 012

The P 10 012 brake pad is synonymous with reliability

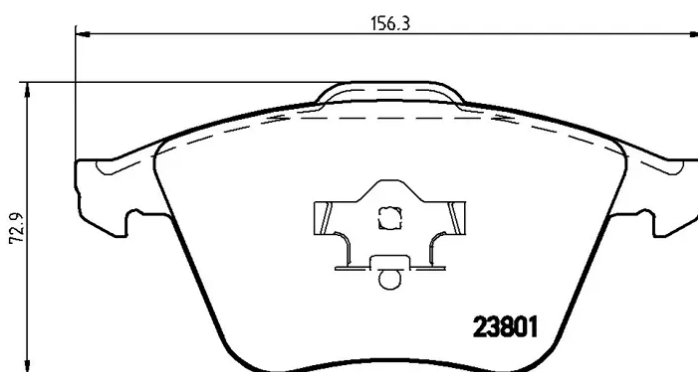
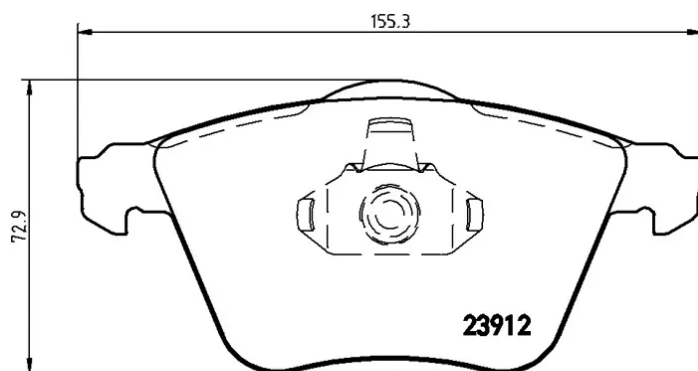
The Brembo brake pad guarantees ultimate safety when braking thanks to the use of more than 100 different compounds, designed according to the type of vehicle and use. Stopping distances reduced to a minimum, maximum driving comfort and silent operation are the most important features of Brembo materials. Brembo brake pads are supplied together with an extensive range of accessories and assembly kits for professional-standard installation.

- ✓ OE-equivalent
- ✓ Brembo quality
- ✓ ECE-R90 certificate
- ✓ Safety
- ✓ Performance
- ✓ Comfort
- ✓ With accessories



Technical specifications

EAN code 8020584060117	Axle Front	Thickness 20 mm
Width 156 mm	Height 73 mm	Braking system Teves
Wear indicator Without	WVA number 23801,23912	Accessories With accessories With anti-squeal shim With piston clip



COMPATIBLE VEHICLES

COMPATIBLE OE PART NUMBERS

1605195	OPEL
1605558	OPEL
93188031	OPEL
93190982	VAUXHALL
30635328	VOLVO
307420290	VOLVO