



BRAKE PAD

P 23 201

The P 23 201 brake pad is synonymous with reliability

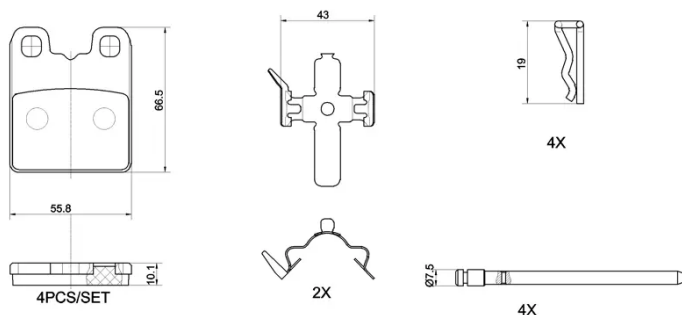
The Brembo brake pad guarantees ultimate safety when braking thanks to the use of more than 100 different compounds, designed according to the type of vehicle and use. Stopping distances reduced to a minimum, maximum driving comfort and silent operation are the most important features of Brembo materials. Brembo brake pads are supplied together with an extensive range of accessories and assembly kits for professional-standard installation.

- ✓ OE-equivalent
- ✓ Brembo quality
- ✓ ECE-R90 certificate
- ✓ Safety
- ✓ Performance
- ✓ Comfort
- ✓ With accessories



Technical specifications

EAN code	Axle	Thickness
8020584125878	Rear	10 mm
Width	Height	
56 mm	66 mm	
Wear indicator	Accessories	
Without	With accessories	
	With anti-squeal shim	



COMPATIBLE VEHICLES

COMPATIBLE OE PART NUMBERS

68367293AA	ALFA ROMEO
------------	------------

77367680	ALFA ROMEO
----------	------------

77368182	ALFA ROMEO
----------	------------

77369156	ALFA ROMEO
----------	------------

84935101	CHEVROLET
----------	-----------

84935102	CHEVROLET
----------	-----------

673007248	MASERATI
-----------	----------