



BRAKE PAD

P 24 028

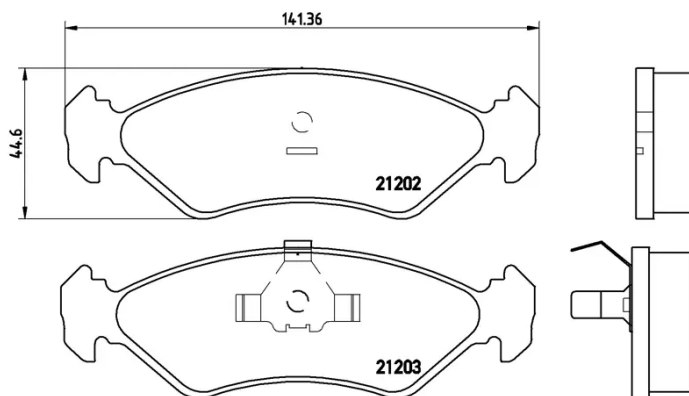
The P 24 028 brake pad is synonymous with reliability

The Brembo brake pad guarantees ultimate safety when braking thanks to the use of more than 100 different compounds, designed according to the type of vehicle and use. Stopping distances reduced to a minimum, maximum driving comfort and silent operation are the most important features of Brembo materials. Brembo brake pads are supplied together with an extensive range of accessories and assembly kits for professional-standard installation.

- ✓ OE-equivalent
- ✓ Brembo quality
- ✓ ECE-R90 certificate
- ✓ Safety
- ✓ Performance
- ✓ Comfort
- ✓ With accessories

Technical specifications

EAN code 8020584052006	Axle Front	Thickness 18 mm
Width 141 mm	Height 45 mm	Braking system Teves
Wear indicator Without	WVA number 21202,21203	Accessories With accessories With anti-squeal shim With piston clip



COMPATIBLE OE PART NUMBERS

1465126 FORD

1659938 FORD

5025048 FORD

5025929 FORD

6162190 FORD

6188427 FORD

6203650 FORD

89FB2K021AA FORD

89FB2K021CA FORD

89FB2K021DA FORD

90FX2K021AA FORD

91FX2K021AA FORD

91FX2K021AB FORD

D89FB2K021AA FORD
