



BEYOND EV PAD P 30 101E

The P 30 101E brake pad is designed for electric cars

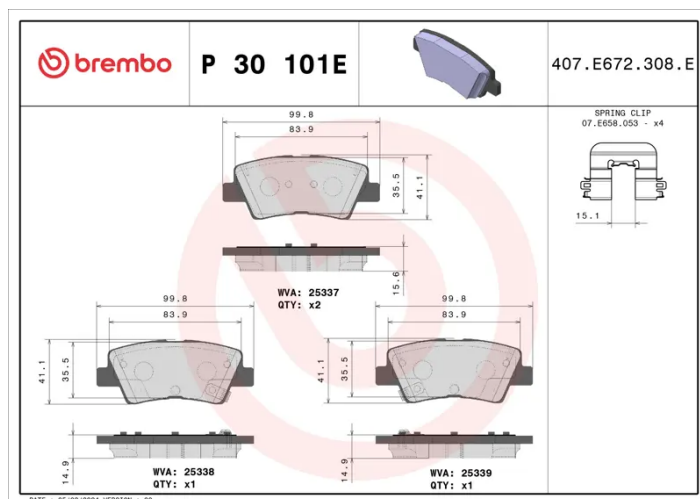
The use of regenerative braking, in electric vehicles, entails a more discontinuous use of the friction brake compared to a car with a combustion engine. For this reason, special attention is required to avoid the corrosion of brake discs and brake pads. The Brembo EV brake pad is coated with a special protective treatment, and when used in combination with Brembo EV brake discs, it avoids early corrosion of the braking system, guaranteeing silent and effective braking.



- ✓ Brembo quality
- ✓ ECE-R90 certificate
- ✓ Comfort
- ✓ Durability
- ✓ Anti-corrosion
- ✓ With accessories

Technical specifications

EAN code 8020584123393	Axle Rear	Thickness 15 mm
Width 100 mm	Height 41 mm	Braking system Akebono
Wear indicator Acoustic	WVA number 25337,25338,25339	Accessories With accessories With anti-squeal shim



COMPATIBLE VEHICLES

COMPATIBLE OE PART NUMBERS

58302K4A10	HYUNDAI
58302AZA00	HYUNDAI (BEIJING)