



# BRAKE PAD

## P 49 007

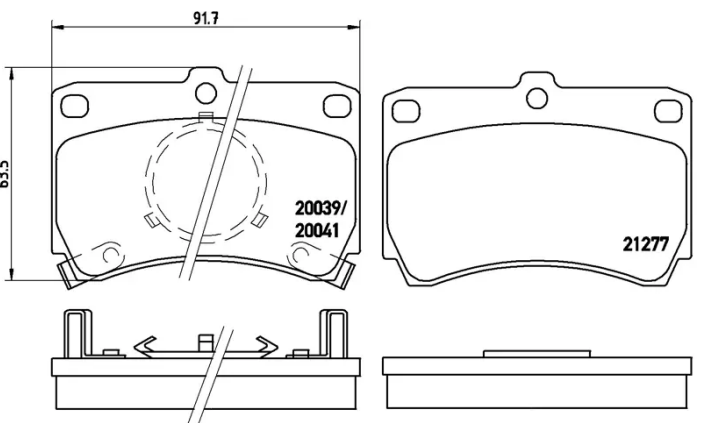
The P 49 007 brake pad is synonymous with reliability

The Brembo brake pad guarantees ultimate safety when braking thanks to the use of more than 100 different compounds, designed according to the type of vehicle and use. Stopping distances reduced to a minimum, maximum driving comfort and silent operation are the most important features of Brembo materials. Brembo brake pads are supplied together with an extensive range of accessories and assembly kits for professional-standard installation.

- ✓ OE-equivalent
- ✓ Brembo quality
- ✓ ECE-R90 certificate
- ✓ Safety
- ✓ Performance
- ✓ Comfort

### Technical specifications

EAN code <b>8020584053447</b>	Axle <b>Front</b>	Thickness <b>15 mm</b>
Width <b>92 mm</b>	Height <b>64 mm</b>	Braking system <b>Sumitomo</b>
Wear indicator <b>Acoustic</b>	WVA number <b>20039,20041,21277</b>	Accessories <b>With anti-squeal shim</b>



COMPATIBLE VEHICLES

## COMPATIBLE OE PART NUMBERS

BG354928ZA	FORD
1U003328Z	MAZDA
1U033328Z	MAZDA
B0923328Z	MAZDA
B0923328ZA	MAZDA
B09249280	MAZDA
B09249280A	MAZDA
B0953328Z	MAZDA
B0953328ZA	MAZDA
B09549280	MAZDA
B1003328Z	MAZDA
B1003328ZA	MAZDA
B10049280	MAZDA
B10049280A	MAZDA
BG3449280	MAZDA
BG3449280A	MAZDA
BG3549280	MAZDA
BL533328Z	MAZDA
BL533328Z9A	MAZDA
BL533328ZA	MAZDA
B5713323Z	MITSUBISHI
BF6749280	MITSUBISHI
BG35492809A	MITSUBISHI
AY040MA008	NISSAN