



BRAKE PAD

P 59 077

The P 59 077 brake pad is synonymous with reliability

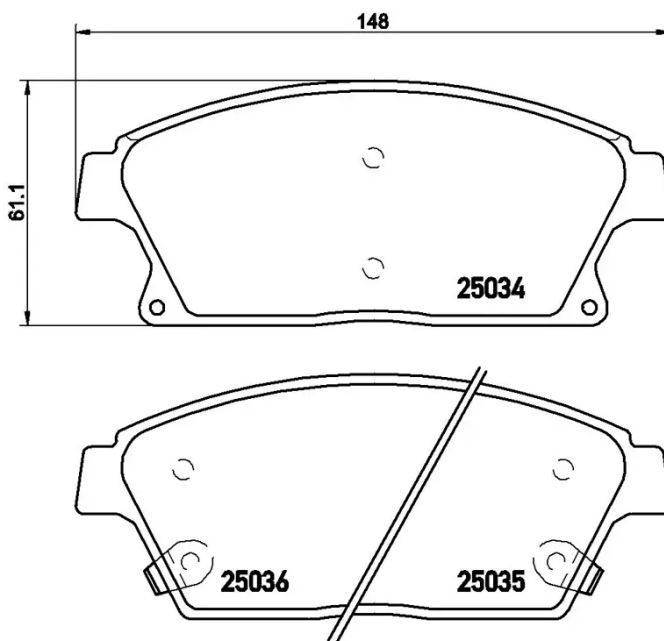
The Brembo brake pad guarantees ultimate safety when braking thanks to the use of more than 100 different compounds, designed according to the type of vehicle and use. Stopping distances reduced to a minimum, maximum driving comfort and silent operation are the most important features of Brembo materials. Brembo brake pads are supplied together with an extensive range of accessories and assembly kits for professional-standard installation.



- ✓ OE-equivalent
- ✓ Brembo quality
- ✓ ECE-R90 certificate
- ✓ Safety
- ✓ Performance
- ✓ Comfort
- ✓ With accessories

Technical specifications

EAN code 8020584083901	Axle Front	Thickness 19 mm
Width 148 mm	Height 61 mm	Braking system Bosch
Wear indicator Acoustic	WVA number 25034,25035,25036	Accessories With accessories With anti-squeal shim With piston clip



COMPATIBLE VEHICLES

COMPATIBLE OE PART NUMBERS

13412809	BUICK
22737859	BUICK (SGM)
93723740	BUICK (SGM)
13301234	CHEVROLET
13412810	CHEVROLET
22799077	CHEVROLET
39126138	CHEVROLET
42793254	CHEVROLET (SGM)
22737859	GENERAL MOTORS
23242201	GENERAL MOTORS
13301234	OPEL
13412810	OPEL
1605135	OPEL
1605178	OPEL
1605263	OPEL
1680880380	OPEL
22799077	OPEL
542115	OPEL
95516193	OPEL
95530017	OPEL
13301234	VAUXHALL
13412810	VAUXHALL
1605135	VAUXHALL
1605178	VAUXHALL
22799077	VAUXHALL
542115	VAUXHALL
95530017	VAUXHALL