



# BRAKE PAD

## P 83 107

The P 83 107 brake pad is synonymous with reliability

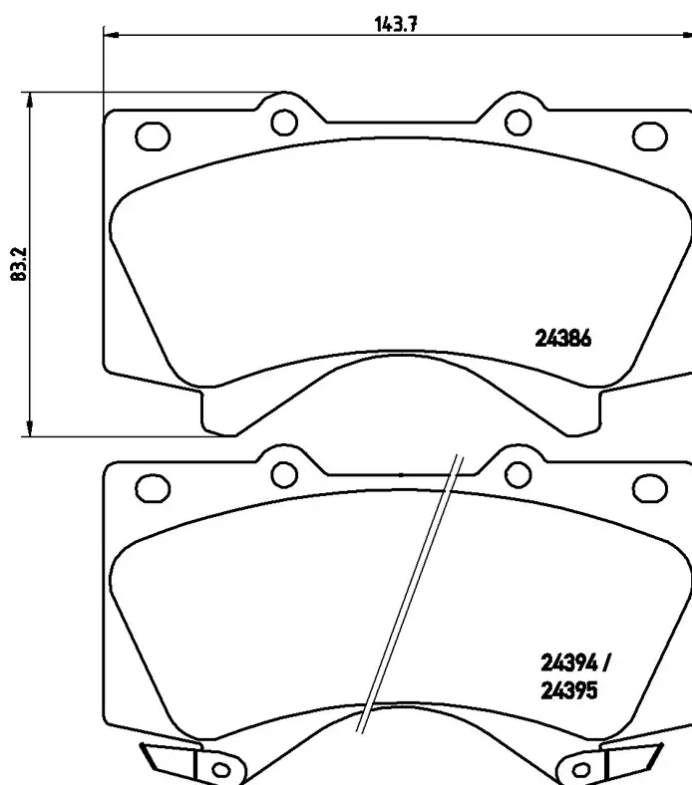
The Brembo brake pad guarantees ultimate safety when braking thanks to the use of more than 100 different compounds, designed according to the type of vehicle and use. Stopping distances reduced to a minimum, maximum driving comfort and silent operation are the most important features of Brembo materials. Brembo brake pads are supplied together with an extensive range of accessories and assembly kits for professional-standard installation.

- ✓ OE-equivalent
- ✓ Brembo quality
- ✓ ECE-R90 certificate
- ✓ Safety
- ✓ Performance
- ✓ Comfort



### Technical specifications

EAN code	Axle	Thickness
<b>8020584090930</b>	<b>Front</b>	<b>18 mm</b>
Width	Height	Braking system
<b>144 mm</b>	<b>83 mm</b>	<b>Advics</b>
Wear indicator	WVA number	Accessories
<b>Acoustic</b>	<b>24386,24394,24395</b>	<b>With anti-squeal shim</b>



## COMPATIBLE OE PART NUMBERS

0446502440 TOYOTA

---

044650C020 TOYOTA

---

0446560280 TOYOTA

---

0446560281 TOYOTA

---

044656028179 TOYOTA

---

0446560300 TOYOTA

---

0446560330 TOYOTA

---

04465YZZEJ TOYOTA

---