



BRAKE PAD PRIME CERAMIC P50134N

The P50134N NAO brake pad is synonymous with reliability

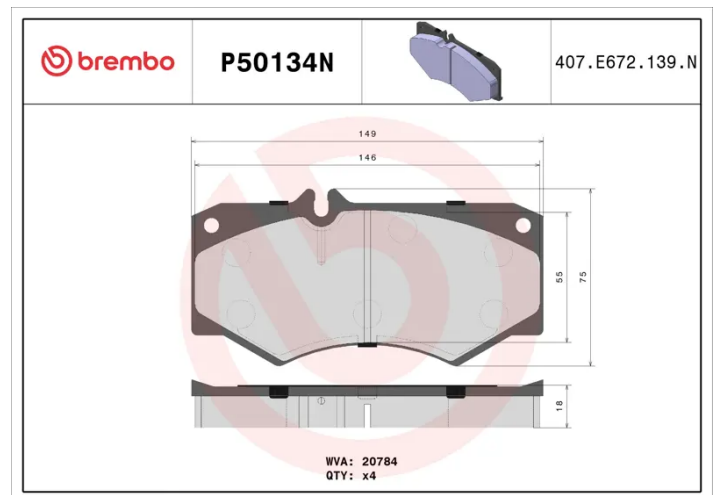
Brembo NAO brake pads stand out for their ultimate braking comfort, reduced friction wear and low dust mission, which makes for cleaner rims and reduced maintenance requirements. The advanced friction material in keeping with the strictest environmental standards is the main distinguishing feature of NAO compounds.

- ✓ OE-equivalent
- ✓ Brembo quality
- ✓ Safety
- ✓ Comfort
- ✓ Durability
- ✓ Dust reduction
- ✓ With accessories



Technical specifications

EAN code 8020584115190	Axle Front	Thickness 18 mm
Width 149 mm	Height 75 mm	Braking system Perrot
Wear indicator Prepared for wear indicator	WVA number 21056	Accessories With anti-squeal shim



COMPATIBLE VEHICLES

COMPATIBLE OE PART NUMBERS

291698151	AUDI
291698151A	AUDI
425074	CITROËN
0005868942	MERCEDES-BENZ
0014201420	MERCEDES-BENZ
0015867042	MERCEDES-BENZ
0015868942	MERCEDES-BENZ
0034200720	MERCEDES-BENZ
0044201420	MERCEDES-BENZ
0054209820	MERCEDES-BENZ
0084204020	MERCEDES-BENZ
0084206120	MERCEDES-BENZ
4604200020	MERCEDES-BENZ
6014207620	MERCEDES-BENZ
6014208720	MERCEDES-BENZ
6014210408	MERCEDES-BENZ
6014210608	MERCEDES-BENZ
6015860042	MERCEDES-BENZ
6694210008	MERCEDES-BENZ
A0005868942	MERCEDES-BENZ
A0014201420	MERCEDES-BENZ
A0015867042	MERCEDES-BENZ
A0015868942	MERCEDES-BENZ
A0034200720	MERCEDES-BENZ
A0044201420	MERCEDES-BENZ
A0054209820	MERCEDES-BENZ
A0084204020	MERCEDES-BENZ
A0084206120	MERCEDES-BENZ
A4604200020	MERCEDES-BENZ
A6014207620	MERCEDES-BENZ
A6014208720	MERCEDES-BENZ
A6014210408	MERCEDES-BENZ
A6014210608	MERCEDES-BENZ
A6015860042	MERCEDES-BENZ
A6694210008	MERCEDES-BENZ
291698151	SEAT
291698151A	SEAT
291698151	SKODA
291698151A	SKODA
291698151	VW
291698151A	VW