



BRAKE DISC MAX

08.5359.75

The 08.5359.75 Max brake disc is synonymous with reliability

The Brembo Max brake disc features grooves on the braking surface. The special shape of the grooves generates greater fading resistance and constant renewal of friction material, quickly restoring optimum braking conditions. The UV paint completes the sporty look.

- ✓ Brembo quality
- ✓ ECE-R90 certificate
- ✓ Performance
- ✓ Sports driving
- ✓ Sporty look
- ✓ Anti-corrosion
- ✓ Fastening screws



Technical specifications



EAN code
8020584011232

Axle
Front

Diameter \varnothing
286 mm

Thickness (TH)
12 mm

Height (A)
52 mm

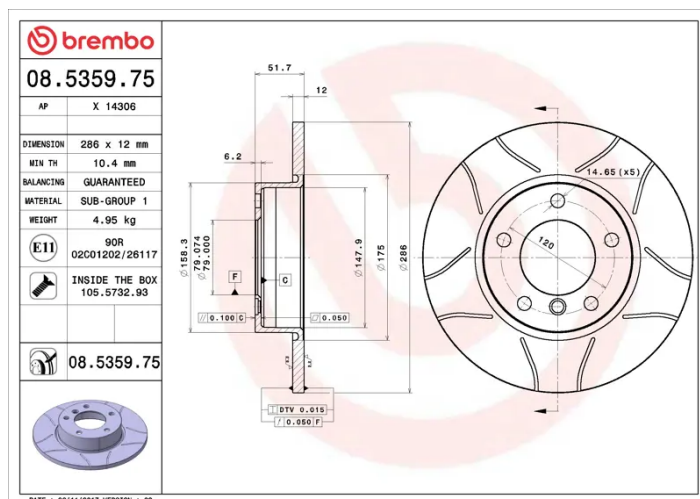
Number of holes (C)
5

Brake disc type
Solid

Centering (B)
79 mm

Min. thickness
10,4 mm

Tightening torque
120 Nm



COMPATIBLE OE PART NUMBERS

34111160673 BMW

34111160979 BMW

34111164201 BMW

34111164433 BMW

34116757750 BMW

34116757751 BMW
