



# BRAKE DISC PAINTED

## 09.5390.31

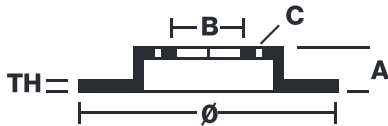
The 09.5390.31 painted brake disc is synonymous with reliability

The Brembo brake disc with special UV paint treatment guarantees superior corrosion resistance for the product, thanks to the protective coating on the outer edges and on the disc hub. The UV paint not only gives the disc a clean, shiny appearance but is also beneficial for the environment as the water-based UV paint treatment does not require the use of chemical solvents and is a low energy consumption process.



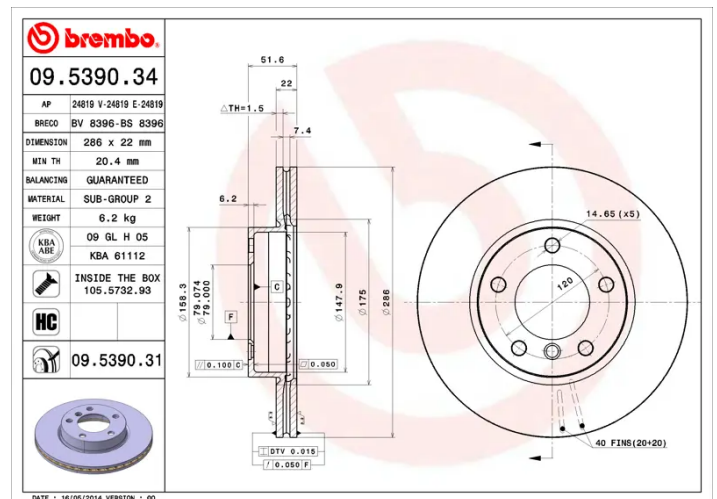
- ✓ OE-equivalent
- ✓ Brembo quality
- ✓ ECE-R90 certificate
- ✓ Safety
- ✓ High carbon
- ✓ Anti-corrosion
- ✓ Fastening screws

### Technical specifications



EAN code <b>8020584018163</b>	Axle <b>Front</b>	Diameter Ø <b>286 mm</b>
Thickness (TH) <b>22 mm</b>	Height (A) <b>52 mm</b>	Number of holes (C) <b>5</b>
Brake disc type <b>Ventilated</b>	Centering (B) <b>79 mm</b>	Min. thickness <b>20,4 mm</b>

Tightening torque  
**120 Nm**



**COMPATIBLE VEHICLES**

## COMPATIBLE OE PART NUMBERS

34111160674 BMW

---

34111160981 BMW

---

34111162282 BMW

---

34111162288 BMW

---

34111164199 BMW

---

34111164431 BMW

---

34111164921 BMW

---

34111165455 BMW

---

34116766239 BMW

---

34116794301 BMW

---

34116855153 BMW

---

34116864060 BMW

---

34111160674 BMW (BRILLIANCE)

---

34111162282 BMW (BRILLIANCE)

---

34111162288 BMW (BRILLIANCE)

---

34111164199 BMW (BRILLIANCE)

---

34111164921 BMW (BRILLIANCE)

---

34111165455 BMW (BRILLIANCE)

---

34116855153 BMW (BRILLIANCE)

---

34116864060 BMW (BRILLIANCE)

---

34111162282 DE LA CHAPELLE

---