



BRAKE DISC PAINTED

09.7421.81

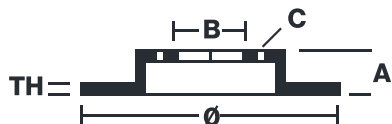
The 09.7421.81 painted brake disc is synonymous with reliability

The Brembo brake disc with special UV paint treatment guarantees superior corrosion resistance for the product, thanks to the protective coating on the outer edges and on the disc hub. The UV paint not only gives the disc a clean, shiny appearance but is also beneficial for the environment as the water-based UV paint treatment does not require the use of chemical solvents and is a low energy consumption process.

- ✓ OE-equivalent
- ✓ Brembo quality
- ✓ ECE-R90 certificate
- ✓ Safety
- ✓ Anti-corrosion

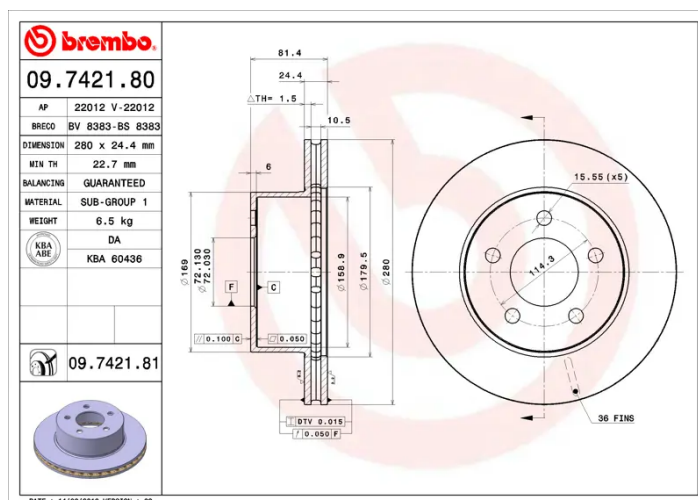


Technical specifications



EAN code 8020584034613	Axle Front	Diameter \varnothing 280 mm
Thickness (TH) 24,5 mm	Height (A) 82 mm	Number of holes (C) 5
Brake disc type Ventilated	Centering (B) 72 mm	Min. thickness 22,7 mm

Tightening torque
115 Nm



COMPATIBLE VEHICLES

COMPATIBLE OE PART NUMBERS

05015965AA	JEEP
------------	------

2AMV5965AA	JEEP
------------	------

2AMV6434AA	JEEP
------------	------

2AMV6434AB	JEEP
------------	------

5015965AA	JEEP
-----------	------

52005000	JEEP
----------	------

52007710	JEEP
----------	------

52008264	JEEP
----------	------

52008440	JEEP
----------	------

V5015965AA	JEEP
------------	------

V5015965AB	JEEP
------------	------

8952007710	RENAULT
------------	---------

8952008264	RENAULT
------------	---------