



BRAKE DISC

09.8303.10

The **09.8303.10** brake disc is synonymous with reliability

The Brembo brake disc is fully interchangeable with an Original Equipment brake disc. The control of the entire production cycle allows Brembo to offer brake discs with outstanding performance levels, reliability, durability and comfort in all conditions of use. All Brembo brake discs are accompanied by the ECE-R90 homologation.

- ✓ OE-equivalent
- ✓ Brembo quality
- ✓ ECE-R90 certificate
- ✓ Safety
- ✓ Fastening screws



Technical specifications



EAN code
8020584830314

Axle
Front

Diameter Ø
283 mm

Thickness (TH)
26 mm

Height (A)
48 mm

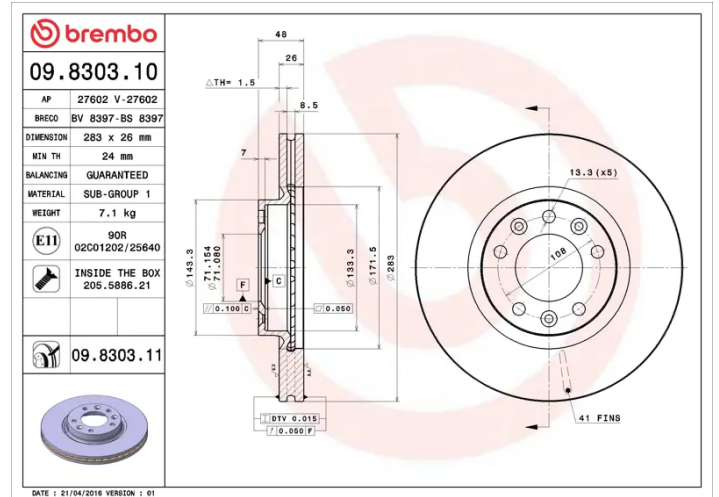
Number of holes (C)
5

Brake disc type
Ventilated

Centering (B)
71 mm

Min. thickness
24 mm

Tightening torque
90 Nm



COMPATIBLE VEHICLES

COMPATIBLE OE PART NUMBERS

1606400980 CITROËN

1669577380 CITROËN

4249L3 CITROËN

E169019 CITROËN

1669577380 OPEL

1606400980 PEUGEOT

1669577380 PEUGEOT

4246P7 PEUGEOT

4246V4 PEUGEOT

4249L3 PEUGEOT

E169019 PEUGEOT

SU001A9198 TOYOTA

SU001B3532 TOYOTA

1669577380 VAUXHALL
