



BRAKE DISC XTRA

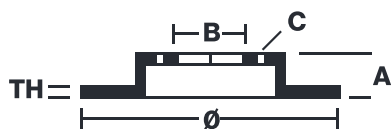
09.A408.1X

The 09.A408.1X Xtra brake disc is synonymous with reliability

The Brembo Xtra brake disc features holes on the braking surface. The holes are designed to improve the cooling of the braking system, to generate greater fading resistance and grip in the initial stages of braking. The sports look is also enhanced by the presence of the UV paint.

- ✓ Brembo quality
- ✓ ECE-R90 certificate
- ✓ Performance
- ✓ Sports driving
- ✓ Sporty look
- ✓ Anti-corrosion

Technical specifications



EAN code
8020584322864

Axle
Front

Diameter Ø
316 mm

Thickness (TH)
30 mm

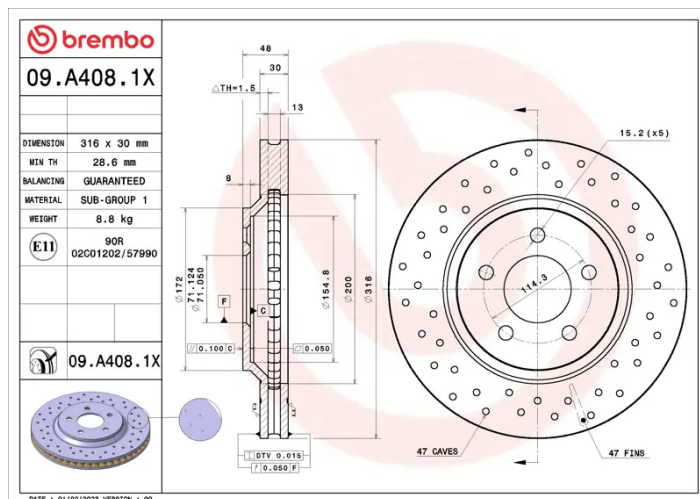
Height (A)
48 mm

Number of holes (C)
5

Brake disc type
Ventilated

Centering (B)
71,1 mm

Min. thickness
28,6 mm



COMPATIBLE VEHICLES

COMPATIBLE OE PART NUMBERS

4R3Z1125BA	FORD
------------	------

DR3Z1125C	FORD
-----------	------

DR3Z112C	FORD
----------	------

4R3Z1125BA	FORD ASIA & OCEANIA
------------	---------------------

SU2Z1V125U	FORD ASIA & OCEANIA
------------	---------------------

DR3Z1125C	FORD ASIA & OCEANIA
-----------	---------------------

4R3Z1125BA	FORD USA
------------	----------

SU2Z1V125U	FORD USA
------------	----------

DR3Z1125C	FORD USA
-----------	----------