



BRAKE DISC PAINTED

09.B551.11

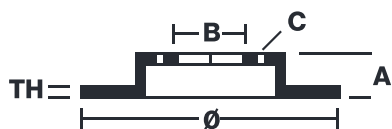
The 09.B551.11 painted brake disc is synonymous with reliability

The Brembo brake disc with special UV paint treatment guarantees superior corrosion resistance for the product, thanks to the protective coating on the outer edges and on the disc hub. The UV paint not only gives the disc a clean, shiny appearance but is also beneficial for the environment as the water-based UV paint treatment does not require the use of chemical solvents and is a low energy consumption process.

- ✓ OE-equivalent
- ✓ Brembo quality
- ✓ ECE-R90 certificate
- ✓ Safety
- ✓ Anti-corrosion
- ✓ Fastening screws



Technical specifications



EAN code
8020584217085

Axle
Front

Diameter \emptyset
280 mm

Thickness (TH)
26 mm

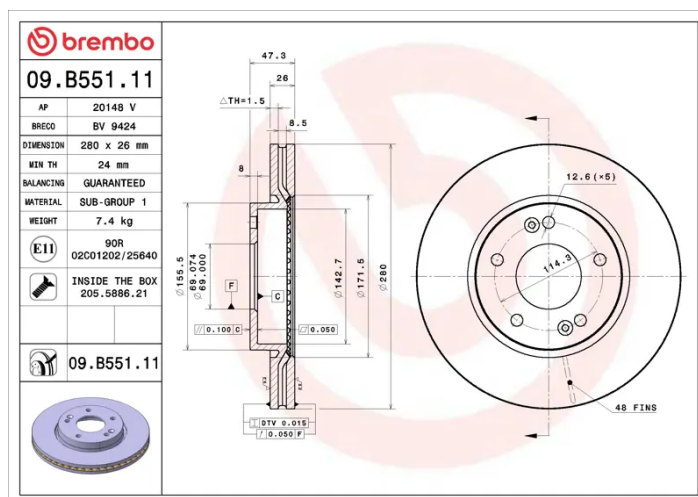
Height (A)
47 mm

Number of holes (C)
5

Brake disc type
Ventilated

Centering (B)
69 mm

Min. thickness
24,4 mm



COMPATIBLE VEHICLES

COMPATIBLE OE PART NUMBERS

517123K000	HYUNDAI
517123K010	HYUNDAI
517123K000	HYUNDAI (BEIJING)
517123K010	HYUNDAI (BEIJING)
517122G000	KIA
517123K010	KIA
517123K010	KIA (DYK)
517123K010	NAZA