



BRAKE DISC PAINTED

09.C349.11

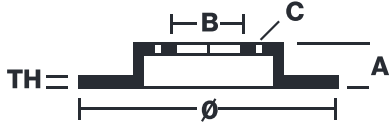
The **09.C349.11** painted brake disc is synonymous with reliability

The Brembo brake disc with special UV paint treatment guarantees superior corrosion resistance for the product, thanks to the protective coating on the outer edges and on the disc hub. The UV paint not only gives the disc a clean, shiny appearance but is also beneficial for the environment as the water-based UV paint treatment does not require the use of chemical solvents and is a low energy consumption process.

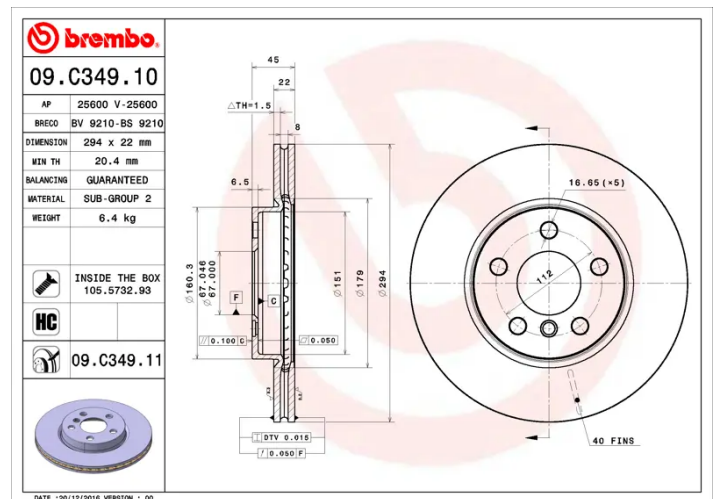
- ✓ OE-equivalent
- ✓ Brembo quality
- ✓ ECE-R90 certificate
- ✓ Safety
- ✓ High carbon
- ✓ Anti-corrosion
- ✓ Fastening screws



Technical specifications



EAN code	Axle	Diameter \varnothing
8020584225325	Front	294 mm
Thickness (TH)	Height (A)	Number of holes (C)
22 mm	45 mm	5
Brake disc type	Centering (B)	Min. thickness
Ventilated	67 mm	20,4 mm



COMPATIBLE VEHICLES

COMPATIBLE OE PART NUMBERS

34116864439	BMW
34116866297	BMW
34118835362	BMW
34116864439	BMW (BRILLIANCE)
34116864439	MINI
34116866297	MINI
34118835362	MINI