



BRAKE DISC PAINTED

09.D424.11

The 09.D424.11 painted brake disc is synonymous with reliability

The Brembo brake disc with special UV paint treatment guarantees superior corrosion resistance for the product, thanks to the protective coating on the outer edges and on the disc hub. The UV paint not only gives the disc a clean, shiny appearance but is also beneficial for the environment as the water-based UV paint treatment does not require the use of chemical solvents and is a low energy consumption process.

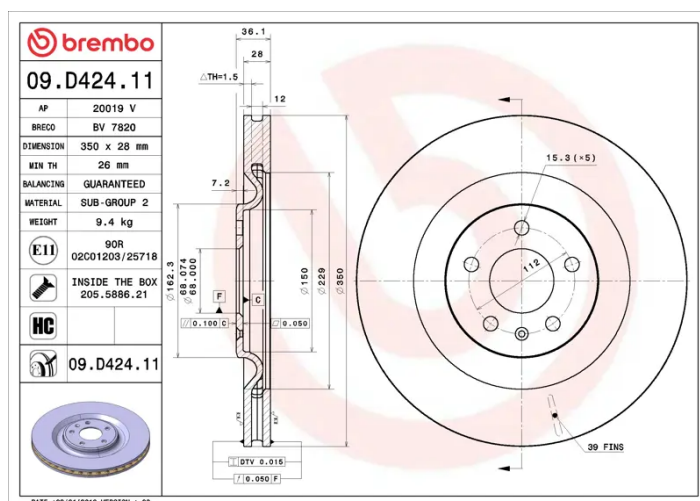
- ✓ OE-equivalent
- ✓ Brembo quality
- ✓ ECE-R90 certificate
- ✓ Safety
- ✓ High carbon
- ✓ Anti-corrosion
- ✓ Fastening screws



Technical specifications



EAN code 8020584237564	Axle Rear	Diameter Ø 350 mm
Thickness (TH) 28 mm	Height (A) 36 mm	Number of holes (C) 5
Brake disc type Ventilated	Centering (B) 68 mm	Min. thickness 26 mm



COMPATIBLE VEHICLES

COMPATIBLE OE PART NUMBERS

4M0615601J	AUDI
------------	------

4M0615601P	AUDI
------------	------

4M0615601P	AUDI (FAW)
------------	------------

4KG615601	AUDI (SAIC)
-----------	-------------

4M0615601P	VW
------------	----
