



DRUM

14.6783.10

The 14.6783.10 drum is synonymous with reliability

Brembo has developed several design solutions for drum brakes which combine multiple materials to reduce the overall weight. The most popular range of lamellar graphite cast iron drums is supplemented by cast iron drums with a steel sprocket flange and aluminium drums, whereby only the inner part of the drum on which the shoes operate are made of lamellar cast iron, namely the brake band. Additionally drums with built-in bearing kit and hub are added to this range.

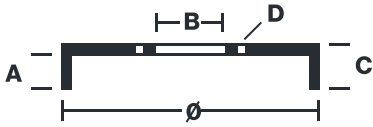
- ✓ OE-equivalent
- ✓ Brembo quality
- ✓ Safety
- ✓ Durability



Technical specifications



VOLKSWAGEN P.N.: 113 501 615 D | 14.6783.10
 CUSTOMER P.N.: | Date 30.09.98



EAN code
8020584678312

Axle
Rear

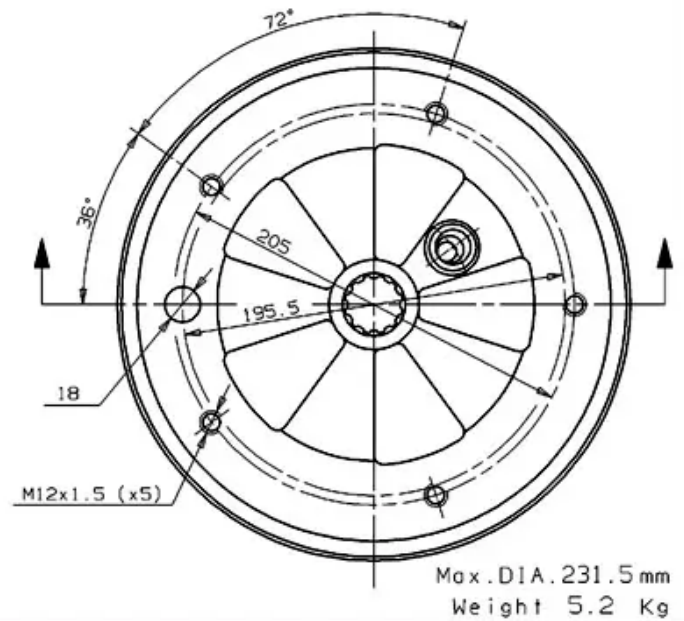
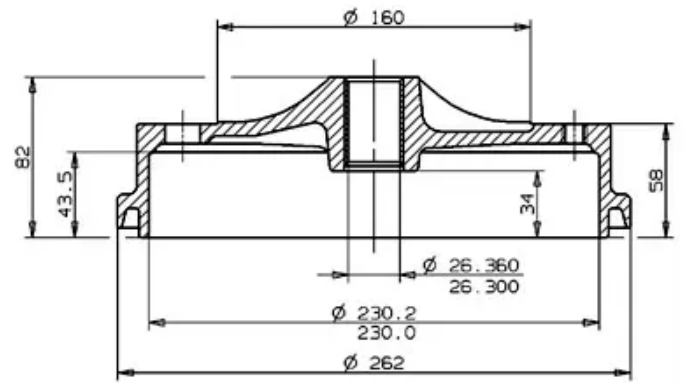
Diameter
230 mm

Width
43,5 mm

Height
82

Number of holes
5

Max diameter
231,5 mm



COMPATIBLE VEHICLES

COMPATIBLE OE PART NUMBERS

113501615D

VW