



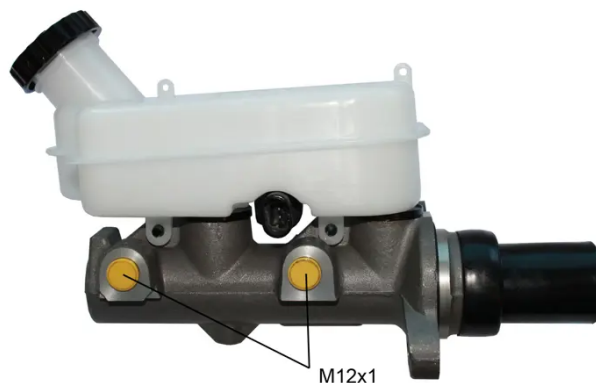
CLUTCH MASTER CYLINDER

M 11 008

The M 11 008 brake master cylinder is synonymous with reliability

For the braking system to work well, all the components of the brake master cylinder must meet the highest standards of quality and strength. All Brembo brake master cylinders are subjected to complete in-line checks which guarantee conformity to the strictest standards.

- ✓ OE-equivalent
- ✓ Brembo quality
- ✓ Safety
- ✓ Durability
- ✓ Durability test
- ✓ Tightness test
- ✓ Burst test



Technical specifications

EAN code
8432509666296

Axle

Threading
12 X 1 (2)

Material
Aluminium

COMPATIBLE VEHICLES

COMPATIBLE OE PART NUMBERS

04721565AA	CHRYSLER
4721565AA	CHRYSLER
K04721565AA	CHRYSLER