



# BRAKE PAD XTRA CERAMIC P06096NX

**Xtra Ceramic brake pad P06096NX belongs to Brembo Cool Line**

Brembo Xtra Ceramic brake pads have a specific compound which, beside being copper free, also contains less metal compared to Xtra pads. This feature make Xtra Ceramic more focused on comfort and cleaner rims, thanks to the ceramic friction material, while guaranteeing the top performance proper of the Xtra line. Xtra Ceramic range is fully ECE R90 homologated.

- ✓ OE-equivalent
- ✓ Brembo quality
- ✓ ECE-R90 certificate
- ✓ Safety
- ✓ Performance
- ✓ Dust reduction
- ✓ Comfort

## Technical specifications

EAN code  
**8020584130766**

Axle  
**Front**

Thickness  
**18 mm**

Width  
**113 mm**

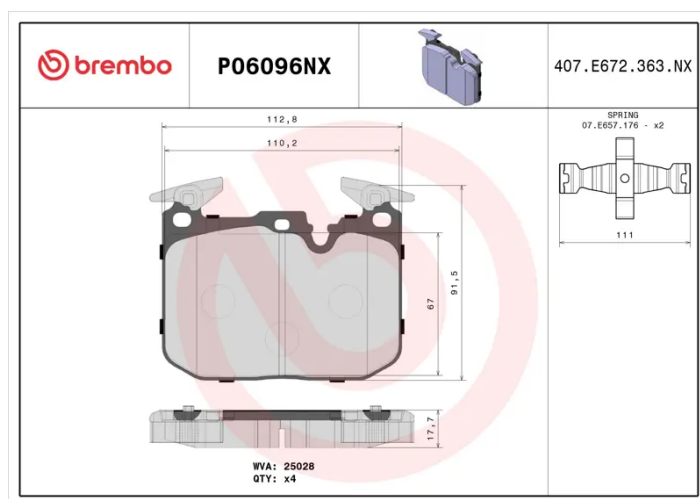
Height  
**91 mm**

Braking system  
**Brembo**

Wear indicator  
**Prepared for wear indicator**

WVA number  
**25028**

Accessories  
**With anti-squeal shim  
With counterweights**



COMPATIBLE VEHICLES

## COMPATIBLE OE PART NUMBERS

34112284765 BMW

---

34112284969 BMW

---

34112464196 BMW

---

34112468432 BMW

---

34116857968 BMW

---

34116859282 BMW

---

34116865460 BMW

---

34116876641 BMW

---

34116878882 BMW

---